



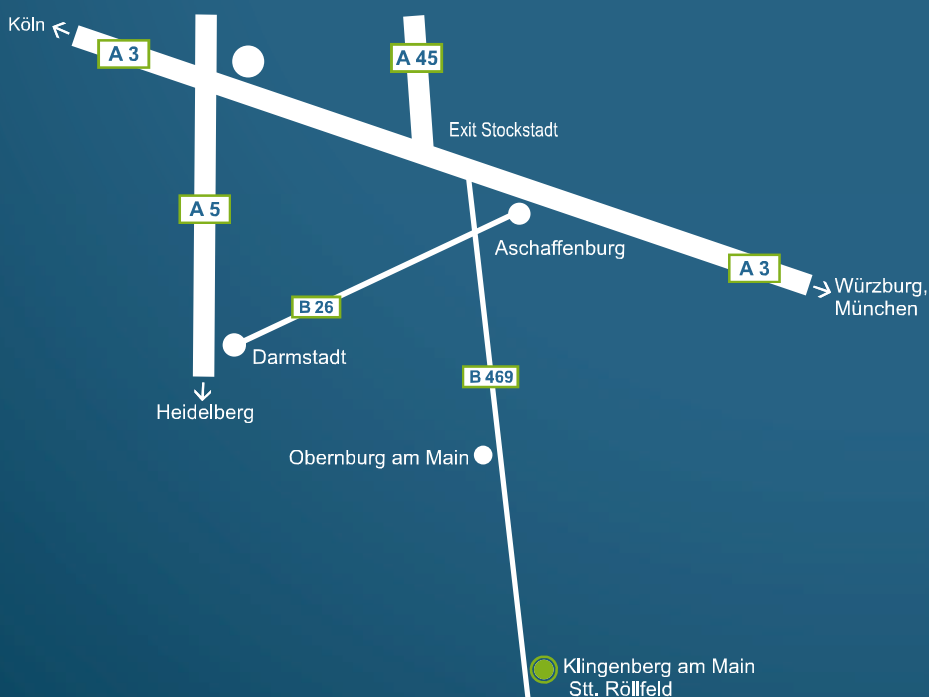
SERVO COUPLINGS

METAL BELLOWS COUPLINGS
SERVO INSERT COUPLINGS
CARDAN COUPLINGS
LINE SHAFTS
RIGID SHAFT COUPLINGS

KBK – The Company

KBK Antriebstechnik GmbH - successful since 2003

Our products are based on the experience of more than 30 years in developing and producing shaft-hub-connections and backlash-free couplings combined with professional advice, service and professional competence. Our sophisticated modular design forms the basis for top quality products at reasonable prices. It enables us to produce almost all elastomer-, metal bellows-, safety couplings and line shafts as well as locking devices from the standard range within two hours, provide them with customized bores and organize a direct delivery to you by courier. Our traffic-favourable position on the edge of the Rhine-Main area simplifies the delivery to our customers all over the world. Benefit from our strenghts and our strong motivation to satisfy all our business-partners and safe time and money for your company.



Contents

| | |
|---|---------------------|
| Miniature Metal Bellows Couplings | Page 5 |
| KB1 - with set screws 0,05-10 Nm | Page 6 |
| KB1P - axial pluggable, with set screws 0,5-10 Nm | Page 7 |
| KB2 - with collet clamps 0,1-10 Nm | Page 8 |
| KB2H - with split hubs 0,5-10 Nm | Page 9 |
| KB2P - axial pluggable, with collet clamps 0,5-10 Nm | Page 10 |
| KB2VA - with stainless steel collet clamps 0,1-10 Nm | Page 11 |
| KB3 - with expanding clamps 0,5-10 Nm | Page 12 |
| KB3P - axial pluggable, with expanding clamps 0,5-10 Nm | Page 13 |
| | |
| Metal Bellows Couplings | Page 14 / 15 |
| KB4 - with collet clamps 18-1400 Nm | Page 16 |
| KB4AL - with collet clamps 80-500 Nm | Page 17 |
| KB4C - with collet clamps, compact 18-500 Nm | Page 18 |
| KB4F - with adapting flange 18-1400 Nm | Page 19 |
| KB4H - with split hubs 18-1400 Nm | Page 20 |
| KB4HC - with split hubs 18-500 Nm | Page 21 |
| KB4K - with collet clamps 40-1500 Nm | Page 22 |
| KB4P - axial pluggable 18-500 Nm | Page 23 |
| KB4VA - with stainless steel collet clamps 18-500 Nm | Page 24 |
| KB5 - with inner conical hubs 18-5000 Nm | Page 25 |
| KB6 - with outer conical hubs 18 bis 5000 Nm | Page 26 |
| KB6P - axial pluggable, with outer conical hubs 18-500 Nm | Page 27 |
| KB7 - for flange mounting 18-5000 Nm | Page 28 |
| KB8 - with expanding clamps 18-300 Nm | Page 29 |
| KB8P - axial pluggable, with expanding clamps 18-300 Nm | Page 30 |

Contents

| | |
|---|----------------|
| Servo Insert Couplings | Page 31 |
| KBE1 - with set screws sizes 5-48 | Page 32 |
| KBE2 - with collet clamps sizes 5-19 | Page 33 |
| KBE2 - with collet clamps sizes 24-48 | Page 34 |
| KBE2C - with collet clamps, compact sizes 7-48 | Page 35 |
| KBE2H - with split hubs sizes 14-48 | Page 36 |
| KBE2HC - with split hubs sizes 14-48 | Page 37 |
| KBE2D - doublecardanic with collet clamps sizes 7-38 | Page 38 |
| KBE3 - with outer conical hubs sizes 14-48 | Page 39 |
| KBE3C - with outer conical hubs, compact sizes 14-48 | Page 40 |
| KBE4 - with expanding clamps sizes 14-38 | Page 41 |
| | |
| Spider Elements for Couplings series KBE | Page 42 |
| | |
| Line Shafts, Cardan - and Rigid Shaft Couplings | Page 43 |
| KBGK - linear coupling with threads 200-13000 N | Page 44 |
| KBGK-T - cardan coupling with collet clamps 3-580 Nm | Page 45 |
| | |
| DRE - split hubs and servo inserts | Page 46 |
| DRB - split hubs and metal bellows | Page 47 |
| | |
| KBST - rigid shaft couplings, single slit | Page 48 |
| KBST-VA - rigid shaft couplings, single slit, stainless steel | Page 49 |
| KBST-G - rigid shaft couplings, split | Page 50 |
| KBST-G-VA - rigid shaft couplings, split, stainless steel | Page 51 |

MINIATURE COUPLINGS

KB1 | 05 ~ 100

Miniature Metal Bellows Coupling
with set screws



P. 6

KB1P | 5 ~ 100

Miniature Metal Bellows Coupling
axial pluggable, with set screws



P. 7

KB2 | 1 ~ 100

Miniature Metal Bellows Coupling
with collet clamps



P. 8

KB2H | 5 ~ 100

Miniature Metal Bellows Coupling
with split hubs



P. 9

KB2P | 5 ~ 100

Miniature Metal Bellows Coupling
axial pluggable, with collet clamps



P. 10

KB2VA | 1 ~ 100

Miniature Metal Bellows Coupling
with stainless steel collet clamps



P. 11

KB3 | 5 ~ 100

Miniature Metal Bellows Coupling
with expanding clamps



P. 12

KB3P | 5 ~ 100

Miniature Metal Bellows Coupling
axial pluggable, with expanding clamps

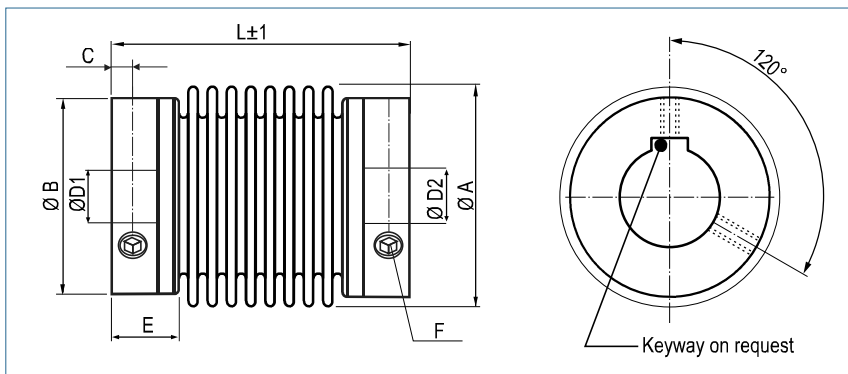


P. 13

Miniature Metal Bellows Coupling

with set screws

optional
laserwelded
optional full stainless
steel version



Order Code

KB1 / 45 - 40 - 10 - 18 - (S)

Type / Size

Length
L

ØD1
(H7)

ØD2
(H7)

Options

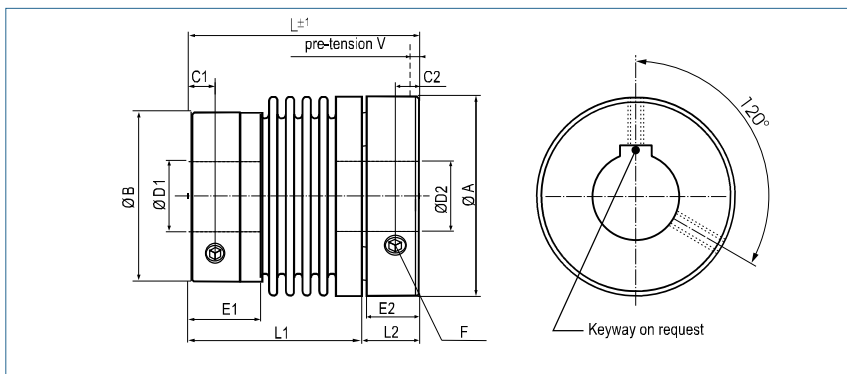
| Size | Torque TKN (Nm) | Dimensions (mm) | | | | | | | Technical Data | | | | | | | |
|------|-----------------------|-----------------|------------|-------------------------------|----------|----------------|-------------------------------|-----------------------------|----------------|--|------------------------|-----------------------|-----------------------|----------------------|-----------------------|-----|
| | | L | Ø A | D1/D2 | Ø B | C | E | F | Mass (g) | Moment of Inertia J (g cm ²) | Spring Stiffness | | | Misalignment | | |
| | | Length | Outer Ø | Bore Sizes (H7) min~max | Hub Ø | Hub- length | Screw (ISO4029) TA (Nm) | torsional CT (Nm/rad) | | | radial CR (N/mm) | axial CA (N/mm) | radial ΔKr (mm) | axial ΔKa (mm) | angular ΔKw (°) | |
| 05 | 0.05 | 14 | 6.5 | 1-3 | 6.5 | 1.5 | 4 | 1x M2 0.35 | 1 | 0.1 | 50 | 6 | 9 | 0.1 | 0.4 | 1 |
| 1 | 0.1 | 23 | 10 | 1-4 | 10 | 2 | 6 | 1x M3 0.5 | 3 | 0.45 | 65 | 10 | 14 | 0.12 | 0.2 | 1.2 |
| 5 | 0.5 | 19 | 15 | 3-8 | 13.5 | 2 | 6 | 1x M3 0.5 | 4 | 1.3 | 260 | 43 | 13 | 0.1 | 0.2 | 1 |
| | | 4.5 | | | | | | | 1.5 | 200 | 18 | 10 | 0.15 | 0.3 | 1.5 | |
| | | 5 | | | | | | | 1.6 | 160 | 9 | 8 | 0.2 | 0.4 | 2 | |
| 10 | 1 | 21 | 15 | 3-8 | 13.5 | 2 | 6 | 1x M3 0.5 | 5.5 | 1.8 | 510 | 74 | 27 | 0.1 | 0.2 | 1 |
| | | 6 | | | | | | | 2 | 380 | 31 | 20 | 0.15 | 0.3 | 1.5 | |
| | | 7 | | | | | | | 2.3 | 310 | 16 | 16 | 0.2 | 0.4 | 2 | |
| 15 | 1.5 | 26 | 19 | 3-12 | 19 | 3 | 8 | 2x M4 | 10 | 6 | 750 | 59 | 15 | 0.1 | 0.3 | 1.5 |
| | | 30 | | 8# | | | | 1.5 | 12 | 7.4 | 700 | 20 | 9 | 0.15 | 0.4 | 2 |
| 20 | 2 | 22 | 24 | 3-14 | 21.5 | 3 | 6 | 2x M4 | 11 | 9.2 | 1500 | 67 | 12 | 0.15 | 0.3 | 1.5 |
| | | 13 | | 12.6 | | | | 1300 | 21 | 11 | 0.2 | 0.4 | 1.5 | | | |
| | | 1.5 | | 13.5 | | | | 1050 | 11 | 9 | 0.25 | 0.5 | 2 | | | |
| 45 | 4.5 | 40 | 32 | 6-19 | 29 | 4 | 12 | 2x M6 | 44 | 68 | 6500 | 168 | 32 | 0.1 | 0.3 | 1.5 |
| | | 3 | | 50 | | | | 79 | 4200 | 41 | 20 | 0.2 | 0.5 | 2 | | |
| 100 | 10 | 45 | 40 | 6-24 | 36 | 4 | 12 | 2x M6 | 60 | 150 | 8100 | 120 | 27 | 0.15 | 0.4 | 1.5 |
| | | 3 | | 79 | | | | 210 | 6800 | 29 | 17 | 0.3 | 0.6 | 2 | | |

| | |
|--------------------------|--|
| Speed | max. 15000 min ⁻¹ |
| Material | bellows - stainless steel, size 05: bronze hub - aluminium |
| Hub | bore tolerance: H7 |
| Temperature Range | -30 °C ~ 120 °C |
| Keyway | optional acc. DIN 6885 biggest bore with keyway marked with a # |

Miniature Metal Bellows Coupling

axial pluggable, with set screws

optional
laserwelded
optional full stainless
steel version



Order Code

KB1P / 15 - 32 - 5 - 10 - D - (S)

Type / Size Length L ØD1 (H7) ØD2 (H7) Plug System Options

| Size | Torque TKN (Nm) | Dimensions (mm) | | | | | | | | Technical Data | | | | | | | |
|------|-----------------|-----------------|------------|-------------|------------------------|------------------------|----|-----|-------------------------|----------------|--|-----------------------|------------------|-----------------|------------------|-----------------|------------------|
| | | L | Ø A | Ø B | D1 | D2 | C1 | C2 | F | Mass (g) | Moment of Inertia J (g cm ²) | Spring Stiffness | | | Misalignment | | |
| | | Length | Plug Hub Ø | Set Screw Ø | Bore Size (H7) min-max | Bore Size (H7) min-max | | | Screw (ISO4029) TA (Nm) | | | torsional CT (Nm/rad) | radial CR (N/mm) | axial CA (N/mm) | radial Δ Kr (mm) | axial Δ Ka (mm) | angular Δ Kw (°) |
| 5 | 0.5 | 22 | 15.5 | 13.5 | 3-8 | 3-8 | 2 | 2 | 1xM3 | 5.9 | 1.9 | 260 | 43 | 13 | 0.1 | 0.2 | 1 |
| | | 26 | | | | | | | | 6.6 | 2.2 | 200 | 18 | 10 | 0.15 | 0.3 | 1.5 |
| | | 30 | | | | | | | | 0.5 | 7.4 | 2.4 | 160 | 9 | 8 | 0.2 | 0.4 |
| 10 | 1 | 24 | 15.5 | 13.5 | 3-8 | 3-8 | 2 | 2 | 1xM3 | 8.1 | 2.7 | 510 | 74 | 27 | 0.1 | 0.2 | 1 |
| | | 28 | | | | | | | | 8.8 | 2.9 | 380 | 31 | 20 | 0.15 | 0.3 | 1.5 |
| | | 32 | | | | | | | | 0.5 | 10.3 | 3.4 | 310 | 16 | 16 | 0.2 | 0.4 |
| 15 | 1.5 | 28 | 20 | 19 | 3-12 | 3-10 | 3 | 2.5 | 2xM4 | 14.7 | 8.8 | 750 | 59 | 15 | 0.1 | 0.3 | 1.5 |
| | | 32 | | | 8# | 7# | | | | 1.5 | 17.6 | 10.9 | 700 | 20 | 9 | 0.15 | 0.4 |
| 20 | 2 | 27 | 25 | 21.5 | 3-14 | 3-14 | 3 | 2.5 | 2xM4 | 16.2 | 13.5 | 1500 | 67 | 12 | 0.15 | 0.3 | 1.5 |
| | | 37 | | | 10# | 10# | | | | 1.5 | 22 | 19.9 | 1050 | 11 | 9 | 0.25 | 0.5 |
| 45 | 4.5 | 44 | 32.5 | 29 | 6-19 | 6-16 | 4 | 4 | 2xM6 | 64.7 | 100 | 6500 | 168 | 32 | 0.1 | 0.3 | 1.5 |
| | | 52 | | | 13# | 11# | | | | 3 | 73.5 | 116 | 4200 | 41 | 20 | 0.2 | 0.5 |
| 100 | 10 | 50 | 40.5 | 36 | 6-24 | 6-25 | 4 | 4 | 2xM6 | 88.2 | 220.5 | 8100 | 120 | 27 | 0.15 | 0.4 | 1.5 |
| | | 60 | | | 17# | 18# | | | | 3 | 116.1 | 308.7 | 6800 | 29 | 17 | 0.3 | 0.6 |

+ **Speed** max. 15000 min⁻¹

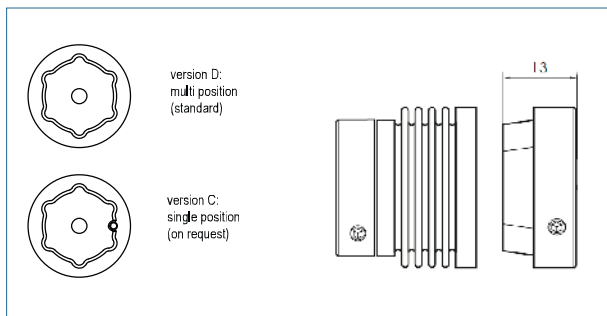
Material bellows - stainless steel
hub - aluminium

Hub bore tolerance: H7

Temperature Range -30 °C ~ 120 °C

Keyway optional acc. DIN 6885
biggest bore with keyway marked with a #

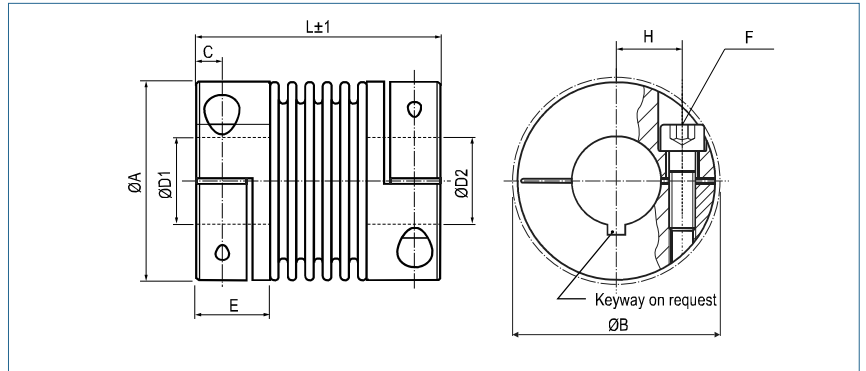
| Size | Dimensions (mm) | | | | | |
|------|-----------------|----|----|----|----|-----|
| | E1 | E2 | L1 | L2 | L3 | V |
| 5 | 6 | 4 | 17 | 5 | 9 | 0.5 |
| | | | 21 | | | |
| | | | 25 | | | |
| 10 | 6 | 4 | 19 | 5 | 9 | 0.5 |
| | | | 23 | | | |
| | | | 27 | | | |
| 15 | 8 | 5 | 22 | 6 | 11 | 0.5 |
| | | | 26 | | | |
| 20 | 6 | 5 | 21 | 6 | 11 | 0.5 |
| | | | 27 | | | |
| | | | 31 | | | |
| 45 | 12 | 8 | 35 | 9 | 16 | 0.5 |
| | | | 43 | | | |
| 100 | 12 | 8 | 41 | 9 | 17 | 1 |
| | | | 51 | | | |



Miniature Metal Bellows Coupling

with collet clamps

optional
laserwelded
optional full stainless
steel version



Order Code

KB2 / 45 - 50 - 10 - 16 - (S)

Type / Size

Length
L

ØD1
(H7)

ØD2
(H7)

Options

| Size | Torque TKN (Nm) | Dimensions (mm) | | | | | | | | Technical Data | | | | | | | |
|------|-----------------------|-----------------|------------|-------------------------------|------|-----|------|----------------|-------------------------------|----------------|--|-----------------------------|------------------------|-----------------------|-----------------------|----------------------|-----------------------|
| | | L | Ø A | D1/D2 | H | C | Ø B | E | F | Mass (g) | Moment of Inertia J (g cm ²) | Spring Stiffness | | | Misalignment | | |
| | | Length | Outer Ø | Bore Sizes (H7) min-max | | | | Hub- length | Screw (ISO4762) TA (Nm) | | | torsional CT (Nm/rad) | radial CR (N/mm) | axial CA (N/mm) | radial ΔKr (mm) | axial ΔKa (mm) | angular ΔKw (°) |
| 1 | 0.1 | 25 | 10 | 1-4 | 3.4 | 2 | 11 | 7 | M1.6 0.1 | 3 | 0.5 | 65 | 10 | 14 | 0.12 | 0.2 | 1.2 |
| 5 | 0.5 | 21 | 15.5 | 3-8 | 5.2 | 2.5 | 17.5 | 7 | M2 | 7.5 | 2.7 | 260 | 43 | 13 | 0.1 | 0.2 | 1 |
| | | 0.43 | | 7.8 | | | | | 2.8 | 200 | 18 | 10 | 0.15 | 0.3 | 1.5 | | |
| | | | | 8.2 | | | | | 3 | 160 | 9 | 8 | 0.2 | 0.4 | 2 | | |
| 10 | 1 | 23 | 15.5 | 3-8 | 5.2 | 2.5 | 17.5 | 7 | M2 | 9 | 3.1 | 510 | 74 | 27 | 0.1 | 0.2 | 1 |
| | | 0.43 | | 9.3 | | | | | 3.4 | 380 | 31 | 20 | 0.15 | 0.3 | 1.5 | | |
| | | | | 10 | | | | | 3.7 | 310 | 16 | 16 | 0.2 | 0.4 | 2 | | |
| 15 | 1.5 | 26 | 20 | 3-10 | 7 | 3 | 21 | 8,5 | M2.5 | 13 | 8 | 750 | 59 | 15 | 0.1 | 0.3 | 1.5 |
| | | 0.85 | | 15 | | | | | 9.3 | 700 | 20 | 9 | 0.15 | 0.4 | 2 | | |
| | | | | 32 | | | | | 25 | 3-14 | 9 | 3.5 | 27 | 11 | M3 | 29 | 24 |
| | 38 | 32 | 27 | 1300 | 21 | 11 | 0.2 | 0.4 | | 1.5 | | | | | | | |
| | 42 | 2 | 33 | 29 | 1050 | 11 | 9 | 0.25 | | 0.5 | | | | | 2 | | |
| 45 | 4.5 | 41 | 32.5 | 6-18 | 12 | 5 | 34 | 13 | M4 | 61 | 100 | 6500 | 168 | 32 | 0.1 | 0.3 | 1.5 |
| | | | | 50 | | | | | 3.5 | 67 | 112 | 4200 | 41 | 20 | 0.2 | 0.5 | 2 |
| | | | | 47 | | | | | 40.5 | 6-25 | 15.5 | 5 | 41.5 | 13,5 | M4 | 86 | 233 |
| | 57 | 4.5 | 106 | 290 | 6800 | 29 | 17 | 0.3 | | 0.6 | | | | | 2 | | |

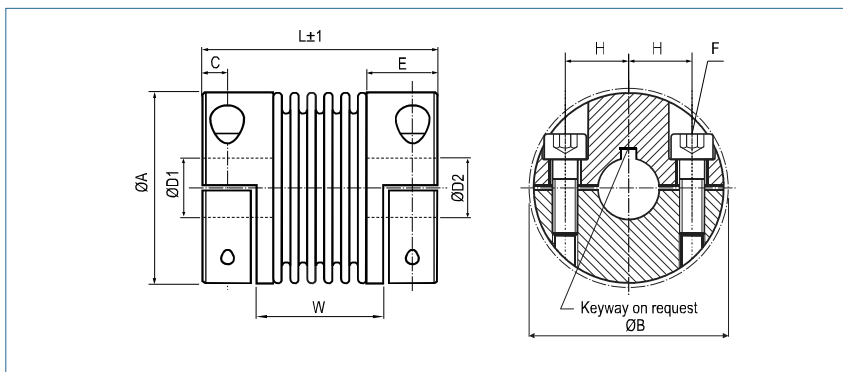


| | |
|--------------------------|--|
| Speed | max. 15000 min ⁻¹ |
| Material | bellows - stainless steel hub - aluminium |
| Hub | bore tolerance: H7 |
| Temperature Range | -30 °C ~ 120 °C |
| Keyway | optional acc. DIN 6885 biggest bore marked with a # |

Miniature Metal Bellows Coupling

with split hubs

optional
laserwelded
optional full stainless
steel version



Order Code

KB2H / 45 - 50 - 10 - 16 - (S)

Type / Size

Length
L

ØD1
(H7)

ØD2
(H7)

Options

| Size | Torque TKN (Nm) | Dimensions (mm) | | | | | | | | | Technical Data | | | | | | | | | | | | | | |
|------|-----------------------|-----------------|------------|----------------------------------|------|-----|------|----------------|------|-------------------------------|----------------|---|-----------------------------|------------------------|-----------------------|-----------------------|----------------------|-----------------------|------|------|----|------|------|-----|-----|
| | | L | Ø A | D1/D2 | H | C | ØB | E | W | F | Mass (g) | Moment of Inertia J (g cm ²) | Spring Stiffness | | | Misalignment | | | | | | | | | |
| | | Length | Outer Ø | Bore Sizes (H7) min-max | | | | Hub- length | | Screw (ISO4762) TA (Nm) | | | torsional CT (Nm/rad) | radial CR (N/mm) | axial CA (N/mm) | radial ΔKr (mm) | axial ΔKa (mm) | angular ΔKw (°) | | | | | | | |
| 5 | 0.5 | 21 | 15.5 | 3-8 | 5.2 | 2.5 | 17.5 | 7 | 12 | M2 | 7.5 | 2.7 | 260 | 43 | 13 | 0.1 | 0.2 | 1 | | | | | | | |
| | | 16 | | | | | | | 0.43 | 7.8 | | | | | | | | | 2.8 | 200 | 18 | 10 | 0.15 | 0.3 | 1.5 |
| | | 19 | | | | | | | | 8.2 | | | | | | | | | 3 | 160 | 9 | 8 | 0.2 | 0.4 | 2 |
| 10 | 1 | 23 | 15.5 | 3-8 | 5.2 | 2.5 | 17.5 | 7 | 14 | M2 | 9 | 3.1 | 510 | 74 | 27 | 0.1 | 0.2 | 1 | | | | | | | |
| | | 17 | | | | | | | 0.43 | 9.3 | | | | | | | | | 3.4 | 380 | 31 | 20 | 0.15 | 0.3 | 1.5 |
| | | 22 | | 10 | | | | | | 3.7 | | | | | | | | | 310 | 16 | 16 | 0.2 | 0.4 | 2 | |
| 15 | 1.5 | 26 | 20 | 3-10 | 7 | 3 | 21 | 8,5 | 14.4 | M2.5 | 13 | 8 | 750 | 59 | 15 | 0.1 | 0.3 | 1.5 | | | | | | | |
| | | 19.4 | | 0.85 | | | | | 15 | 9.3 | | | | | | | | | 700 | 20 | 9 | 0.15 | 0.4 | 2 | |
| 20 | 2 | 32 | 25 | 3-14 | 9 | 3.5 | 27 | 11 | 18.4 | M3 | 29 | 24 | 1500 | 67 | 12 | 0.15 | 0.3 | 1.5 | | | | | | | |
| | | 24.4 | | | | | | | 2 | 32 | | | | | | | | | 27 | 1300 | 21 | 11 | 0.2 | 0.4 | 1.5 |
| | | 28.4 | | 33 | | | | | | 29 | | | | | | | | | 1050 | 11 | 9 | 0.25 | 0.5 | 2 | |
| 45 | 4.5 | 41 | 32.5 | 6-18 | 12 | 5 | 34 | 13 | 24 | M4 | 61 | 100 | 6500 | 168 | 32 | 0.1 | 0.3 | 1.5 | | | | | | | |
| | | 33 | | 3.5 | | | | | 67 | 112 | | | | | | | | | 4200 | 41 | 20 | 0.2 | 0.5 | 2 | |
| 100 | 10 | 47 | 40.5 | 6-25 | 15.5 | 5 | 41.5 | 13,5 | 29 | M4 | 86 | 233 | 8100 | 120 | 27 | 0.15 | 0.4 | 1.5 | | | | | | | |
| | | 39 | | 4.5 | | | | | 106 | 290 | | | | | | | | | 6800 | 29 | 17 | 0.3 | 0.6 | 2 | |

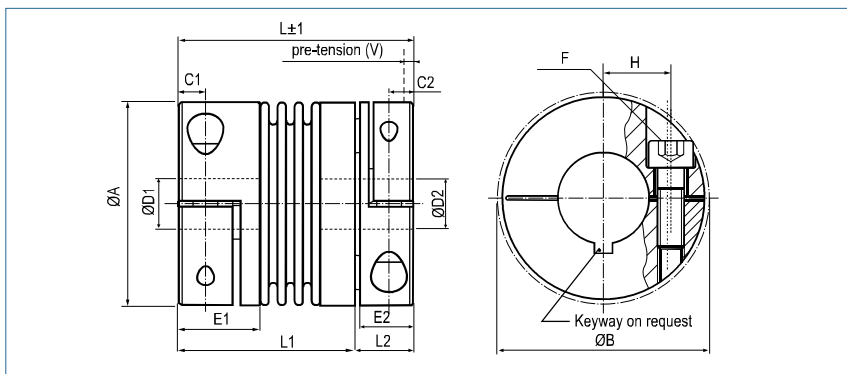


| | |
|--------------------------|--|
| Speed | max. 15000 min ⁻¹ |
| Material | bellows - stainless steel hub - aluminium |
| Hub | bore tolerance: H7 |
| Temperature Range | -30 °C ~ 120 °C |
| Keyway | optional acc. DIN 6885 biggest bore marked with a # |

Miniature Metal Bellows Coupling

axial pluggable, with collet clamps

optional
laserwelded
optional full stainless
steel version



Order Code

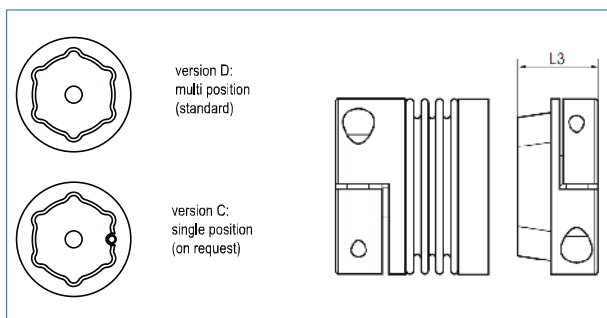
KB2P / 15 - 30 - 5 - 10 - D - (S)

Type / Size Length L ØD1 (H7) ØD2 (H7) Plug System Options

| Size | Torque TKN (Nm) | Dimensions (mm) | | | | | | | | | Technical Data | | | | | | | |
|------|-----------------|-----------------|---------|------|------------------------|------------------------|------|-----|-----|-------------------------|----------------|--|-----------------------|------------------|-----------------|------------------|-----------------|------------------|
| | | L | Ø A | Ø B | D1 | D2 | H | C1 | C2 | F | Mass (g) | Moment of Inertia J (g cm ²) | Spring Stiffness | | | Misalignment | | |
| | | Length | Outer Ø | | Bore Size (H7) min-max | Bore Size (H7) min-max | | | | Screw (ISO4762) TA (Nm) | | | torsional CT (Nm/rad) | radial CR (N/mm) | axial CA (N/mm) | radial Δ Kr (mm) | axial Δ Ka (mm) | angular Δ Kw (°) |
| 5 | 0.5 | 25 | 15.5 | 17.5 | 3-8 | 3-8 | 5.2 | 2.5 | 2.5 | M2 | 8.7 | 3.1 | 260 | 43 | 13 | 0.1 | 0.2 | 1 |
| | | 29 | | | 9.1 | | | | | 3.3 | 200 | 18 | 10 | 0.15 | 0.3 | 1.5 | | |
| | | 32 | | | 0.43 | | | | | 9.6 | 3.5 | 160 | 9 | 8 | 0.2 | 0.4 | 2 | |
| 10 | 1 | 27 | 15.5 | 17.5 | 3-8 | 3-8 | 5.2 | 2.5 | 2.5 | M2 | 10.5 | 3.6 | 510 | 74 | 27 | 0.1 | 0.2 | 1 |
| | | 30 | | | 10.8 | | | | | 3.9 | 380 | 31 | 20 | 0.15 | 0.3 | 1.5 | | |
| | | 32 | | | 0.43 | | | | | 11.7 | 4.3 | 310 | 16 | 16 | 0.2 | 0.4 | 2 | |
| 15 | 1.5 | 30 | 20 | 21 | 3-10 | 3-10 | 7 | 3 | 3 | M2.5 | 15.2 | 9.3 | 750 | 59 | 15 | 0.1 | 0.3 | 1.5 |
| | | 35 | | | 10# | 7# | | | | 0.85 | 17.5 | 10.8 | 700 | 20 | 9 | 0.15 | 0.4 | 2 |
| 20 | 2 | 37 | 25 | 27 | 3-14 | 3-14 | 9 | 3.5 | 3.5 | M3 | 33.8 | 27.8 | 1500 | 67 | 12 | 0.15 | 0.3 | 1.5 |
| | | 43 | | | 14# | 10# | | | | 2 | 37.3 | 31.3 | 1300 | 21 | 11 | 0.2 | 0.4 | 1.5 |
| | | 47 | | | 2 | 38.5 | | | | 33.6 | 1050 | 11 | 9 | 0.25 | 0.5 | 2 | | |
| 45 | 4.5 | 49 | 32.5 | 34 | 6-18 | 6-16 | 12 | 5 | 5 | M4 | 71 | 116 | 6500 | 168 | 32 | 0.1 | 0.3 | 1.5 |
| | | 58 | | | 18# | 11# | | | | 3.5 | 78 | 129.9 | 4200 | 41 | 20 | 0.2 | 0.5 | 2 |
| 100 | 10 | 56 | 40.5 | 41.5 | 6-25 | 6-25 | 15.5 | 5 | 5 | M4 | 100 | 270.3 | 8100 | 120 | 27 | 0.15 | 0.4 | 1.5 |
| | | 66 | | | 25# | 18# | | | | 4.5 | 123.5 | 336.4 | 6800 | 29 | 17 | 0.3 | 0.6 | 2 |

| | |
|--------------------------|--|
| Speed | max. 15000 min ⁻¹ |
| Material | bellows - stainless steel hub - aluminium |
| Hub | bore tolerance: H7 |
| Temperature Range | -30 °C ~ 120 °C |
| Keyway | optional acc. DIN 6885 biggest bore marked with a # |

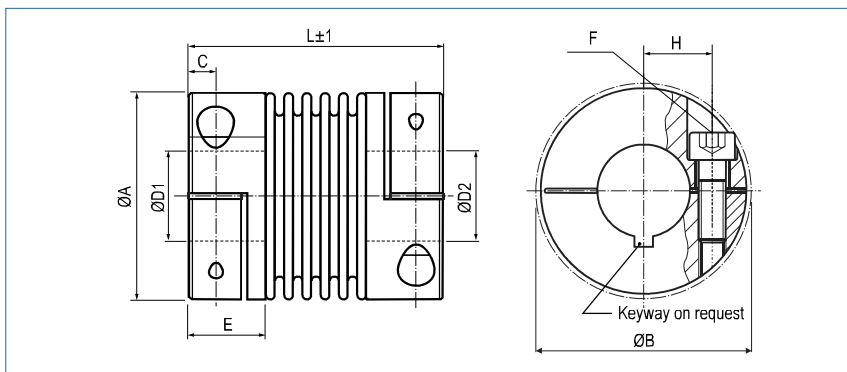
| Size | Dimensions (mm) | | | | | |
|------|-----------------|-----|------|-----|------|-----|
| | E1 | E2 | L1 | L2 | L3 | V |
| 5 | 7 | 6 | 18 | 7 | 11 | 0.5 |
| | | | 22 | | | |
| | | | 25 | | | |
| 10 | 7 | 6 | 20 | 7 | 11 | 0.5 |
| | | | 23 | | | |
| | | | 25 | | | |
| 15 | 8.5 | 6.5 | 22.5 | 7.5 | 12.5 | 0.5 |
| | | | 27.5 | | | |
| 20 | 11 | 10 | 26 | 11 | 16 | 0.5 |
| | | | 32 | | | |
| | | | 36 | | | |
| 45 | 13 | 12 | 36 | 14 | 20 | 0.5 |
| | | | 45 | | | |
| 100 | 13.5 | 12 | 43 | 14 | 21 | 1 |
| | | | 53 | | | |



Miniature Metal Bellows Coupling

with stainless steel collet clamps

optional
laserwelded



Order Code

KB2 / 45 - 50 - 10 - 16 - VA/VAW

Type / Size

Length
L

ØD1
(H7)

ØD2
(H7)

stainless steel
glued / laserwelded

| Size | Torque TKN (Nm) | Dimensions (mm) | | | | | | | | Technical Data | | | | | | | |
|------|-----------------------|-----------------|------------|-------------------------------|------|-----|----------------|-------------------------------|-----------------------------|----------------|---|------------------------|-----------------------|-----------------------|----------------------|-----------------------|-----|
| | | L | Ø A | D1/D2 | H | C | Ø B | E | F | Mass (g) | Moment of Inertia J (g cm ²) | Spring Stiffness | | | Misalignment | | |
| | | Length | Outer Ø | Bore Sizes (H7) min-max | | | Hub- length | Screw (ISO4762) TA (Nm) | torsional CT (Nm/rad) | | | radial CR (N/mm) | axial CA (N/mm) | radial ΔKr (mm) | axial ΔKa (mm) | angular ΔKw (°) | |
| 1 | 0.1 | 25 | 10 | 1-4 | 3.4 | 2 | 11 | 7 | M1.6 0.1 | 7 | 1 | 65 | 10 | 14 | 0.12 | 0.2 | 1.2 |
| 5 | 0.5 | 21 | 15.5 | 3-8 | 5.2 | 2.5 | 17.5 | 7 | M2 | 18 | 5.9 | 260 | 43 | 13 | 0.1 | 0.2 | 1 |
| | | 0.43 | | 18 | | | | | 6.2 | 200 | 18 | 10 | 0.15 | 0.3 | 1.5 | | |
| | | | | 19 | | | | | 6.6 | 160 | 9 | 8 | 0.2 | 0.4 | 2 | | |
| 10 | 1 | 23 | 15.5 | 3-8 | 5.2 | 2.5 | 17.5 | 7 | M2 | 19 | 6.8 | 510 | 74 | 27 | 0.1 | 0.2 | 1 |
| | | 0.43 | | 20 | | | | | 7.5 | 380 | 31 | 20 | 0.15 | 0.3 | 1.5 | | |
| | | | | 21 | | | | | 8.1 | 310 | 16 | 16 | 0.2 | 0.4 | 2 | | |
| 15 | 1.5 | 26 | 20 | 3-10 | 7 | 3 | 21 | 8,5 | M2.5 | 36 | 18 | 750 | 59 | 15 | 0.1 | 0.3 | 1.5 |
| | | 0.85 | | 38 | | | | | 21 | 700 | 20 | 9 | 0.15 | 0.4 | 2 | | |
| 20 | 2 | 32 | 25 | 3-14 | 9 | 3.5 | 27 | 11 | M3 | 70 | 53 | 1500 | 67 | 12 | 0.15 | 0.3 | 1.5 |
| | | | | 73 | | | | | 60 | 1300 | 21 | 11 | 0.2 | 0.4 | 1.5 | | |
| | | 2 | | 75 | | | | | 64 | 1050 | 11 | 9 | 0.25 | 0.5 | 2 | | |
| 45 | 4.5 | 41 | 32.5 | 6-18 | 11.5 | 5 | 34 | 13 | M4 | 133 | 220 | 6500 | 168 | 32 | 0.1 | 0.3 | 1.5 |
| | | | | 13 | | | | | 3.5 | 139 | 246 | 4200 | 41 | 20 | 0.2 | 0.5 | 2 |
| 100 | 10 | 47 | 40.5 | 6-25 | 15.5 | 5 | 41.5 | 13,5 | M4 | 244 | 513 | 8100 | 120 | 27 | 0.15 | 0.4 | 1.5 |
| | | | | 13,5 | | | | | 4.5 | 261 | 638 | 6800 | 29 | 17 | 0.3 | 0.6 | 2 |

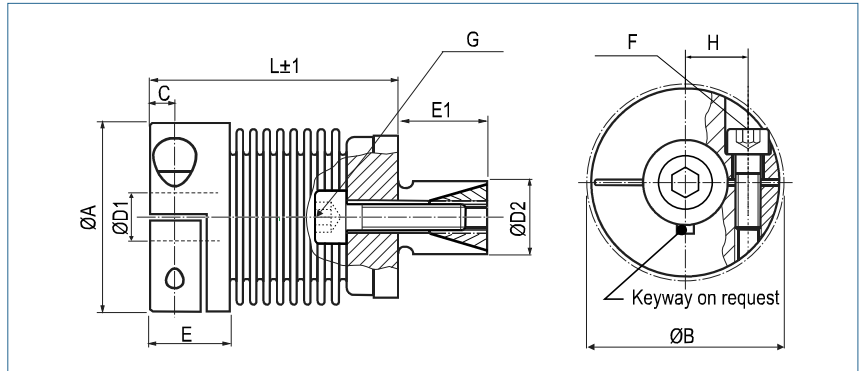


| | |
|--------------------------|---|
| Speed | max. 15000 min ⁻¹ |
| Material | bellows - stainless steel hub - stainless Steel |
| Hub | bore tolerance: H7 |
| Temperature Range | VA -30 °C ~ 120 °C (glued) VAW -30 °C ~ 250 °C (laserwelded) |
| Keyway | optional acc. DIN 6885 biggest bore marked with a # |

Miniature Metal Bellows Coupling

with expanding clamps

optional
laserwelded
optional full stainless
steel version



Order Code

KB3 / 45 - 36 - 10 - 18 - (S)

Type / Size

Length
L

ØD1
(H7)

ØD2
(f7)

Options

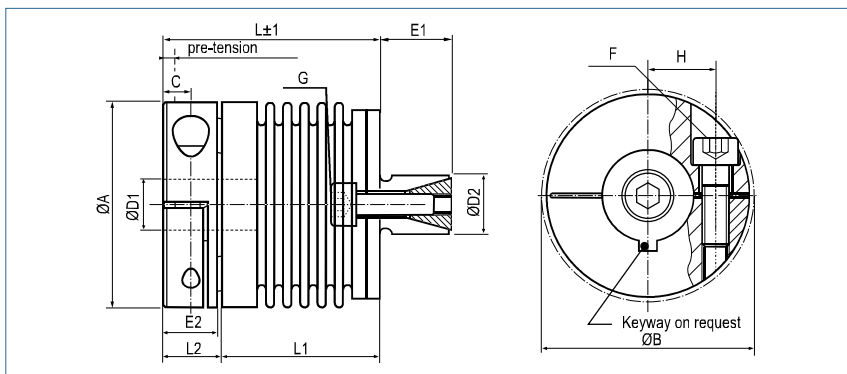
| Size | Torque TKN (Nm) | Dimensions (mm) | | | | | | | | | | Technical Data | | | | | | | |
|------|-----------------------|-----------------|------------|------------------------------|-----------------|------|------|-----|------|----|-------------------------------|----------------|---|-----------------------------|------------------------|-----------------------|-----------------------|----------------------|-----------------------|
| | | L | Ø A | D1 | D2 | Ø B | H | C | E | E1 | F/G | Mass (g) | Moment of Inertia J (g cm ²) | Spring Stiffness | | | Misalignment | | |
| | | Length | Outer Ø | Bore Size (H7) min~max | (f7) min~max | | | | | | Screw (ISO4762) TA (Nm) | | | torsional CT (Nm/rad) | radial CR (N/mm) | axial CA (N/mm) | radial ΔKr (mm) | axial ΔKa (mm) | angular ΔKw (°) |
| 5 | 0.5 | 20 | 15.5 | 3-8 | 8-12 | 17,5 | 5.2 | 2.5 | 7 | 8 | M2/M3 | 12.8 | 2.9 | 260 | 43 | 13 | 0.1 | 0.2 | 1 |
| | | 24 | | 8# | | | | | | | 0.3/1 | 13.2 | 3.1 | 200 | 18 | 10 | 0.15 | 0.3 | 1.5 |
| | | 27 | | | | | | | | | | 13.5 | 3.2 | 160 | 9 | 8 | 0.2 | 0.4 | 2 |
| 10 | 1 | 22 | 15,5 | 3-8 | 8-12 | 17,5 | 5.2 | 2.5 | 7 | 8 | M2/M3 | 14.1 | 3.3 | 510 | 74 | 27 | 0.1 | 0.2 | 1 |
| | | 26 | | 8# | | | | | | | 0.3/1 | 14.6 | 3.4 | 380 | 31 | 20 | 0.15 | 0.3 | 1.5 |
| | | 30 | | | | | | | | | | 15.3 | 3.6 | 310 | 16 | 16 | 0.2 | 0.4 | 2 |
| 15 | 1.5 | 25 | 20 | 3-10 | 10-14 | 21 | 7 | 3 | 8,5 | 12 | M2.5/M4 | 27.2 | 11 | 750 | 59 | 15 | 0.1 | 0.3 | 1.5 |
| | | 29 | | 10# | | | | | | | 0.8/3 | 29.3 | 12 | 700 | 20 | 9 | 0.15 | 0.4 | 2 |
| 20 | 2 | 28 | 25 | 3-14 | 10-16 | 27 | 9 | 3.5 | 11 | 12 | M3/M4 | 40.1 | 25 | 1500 | 67 | 12 | 0.15 | 0.3 | 1.5 |
| | | 34 | | 14# | | | | | | | 1/3 | 43.2 | 29 | 1300 | 21 | 11 | 0.2 | 0.4 | 1.5 |
| | | 38 | | | | | | | | | | 49.1 | 30 | 1050 | 11 | 9 | 0.25 | 0.5 | 2 |
| 45 | 4.5 | 36 | 32,5 | 6-18 | 14-20 | 34 | 12 | 5 | 13 | 16 | M4/M5 | 86.5 | 98 | 6500 | 168 | 32 | 0.1 | 0.3 | 1.5 |
| | | 44 | | 18# | | | | | | | 3/5.9 | 92.9 | 110 | 4200 | 41 | 20 | 0.2 | 0.5 | 2 |
| 100 | 10 | 41 | 40,5 | 6-25 | 16-22 | 41,5 | 15,5 | 5 | 13,5 | 20 | M4/M6 | 135 | 235 | 8100 | 120 | 27 | 0.15 | 0.4 | 1.5 |
| | | 51 | | 25# | | | | | | | 3/10 | 154 | 292 | 6800 | 29 | 17 | 0.3 | 0.6 | 2 |

| | |
|--------------------------|--|
| Speed | max. 15000 min ⁻¹ |
| Material | bellows - stainless steel collet clamps - aluminium expanding clamps - steel |
| Hub | bore tolerance: H7 |
| Temperature Range | -30 °C ~ 120 °C |
| Keyway | optional acc. DIN 6885 biggest bore marked with a # |

Miniature Metal Bellows Coupling

axial pluggable, with expanding clamps

optional
laserwelded
optional full stainless
steel version



Order Code

KB3P / 15 - 29 - 5 - 10 - D - (S)

Type / Size

Length
L

ØD1
(H7)

ØD2
(f7)

Plug System

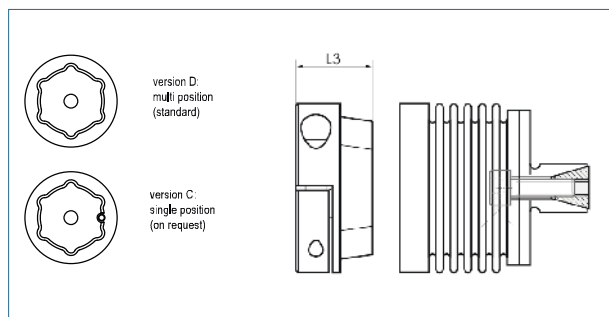
Options

| Size | Torque TKN (Nm) | Dimensions (mm) | | | | | | | | Technical Data | | | | | | | |
|------|-----------------------|-----------------|------------|------|------------------------------|-------|------|-----|-------------------------------|----------------|--|-----------------------------|------------------------|-----------------------|------------------------|-----------------------|------------------------|
| | | L | Ø A | Ø B | D1 | D2 | H | C | F/G | Mass (g) | Moment of Inertia J (g cm ²) | Spring Stiffness | | | Misalignment | | |
| | | Length | Outer Ø | | Bore Size (H7) min~max | | | | Screw (ISO4762) TA (Nm) | | | torsional CT (Nm/rad) | radial CR (N/mm) | axial CA (N/mm) | radial Δ Kr (mm) | axial Δ Ka (mm) | angular Δ Kw (°) |
| 5 | 0.5 | 24 | 15.5 | 17.5 | 3-8 | 8-12 | 5.2 | 2.5 | M2/M3 | 14.9 | 3.4 | 260 | 43 | 13 | 0.1 | 0.2 | 1 |
| | | 28 | | | 8# | | | | 15.4 | 3.6 | 200 | 18 | 10 | 0.15 | 0.3 | 1.5 | |
| | | 31 | | | 0.43/1 | | | | 15.8 | 3.7 | 160 | 9 | 8 | 0.2 | 0.4 | 2 | |
| 10 | 1 | 26 | 15.5 | 17.5 | 3-8 | 8-12 | 5.2 | 2.5 | M2/M3 | 16.4 | 3.8 | 510 | 74 | 27 | 0.1 | 0.2 | 1 |
| | | 30 | | | 8# | | | | 17 | 4 | 380 | 31 | 20 | 0.15 | 0.3 | 1.5 | |
| | | 34 | | | 0.43/1 | | | | 17.8 | 4.2 | 310 | 16 | 16 | 0.2 | 0.4 | 2 | |
| 15 | 1.5 | 29 | 20 | 21 | 3-10 | 10-14 | 7 | 3 | M2.5/M4 | 31.7 | 12.8 | 750 | 59 | 15 | 0.1 | 0.3 | 1.5 |
| | | 33 | | | 10# | | | | 34.1 | 14 | 700 | 20 | 9 | 0.15 | 0.4 | 2 | |
| 20 | 2 | 33 | 25 | 27 | 3-14 | 10-16 | 9 | 3.5 | M3/M4 | 46.7 | 29.1 | 1500 | 67 | 12 | 0.15 | 0.3 | 1.5 |
| | | 39 | | | 14# | | | | 50.3 | 33.8 | 1300 | 21 | 11 | 0.2 | 0.4 | 1.5 | |
| | | 43 | | | 2/3 | | | | 57.2 | 34.9 | 1050 | 11 | 9 | 0.25 | 0.5 | 2 | |
| 45 | 4.5 | 43 | 32.5 | 34 | 6-18 | 14-20 | 12 | 5 | M4/M5 | 100.7 | 114.1 | 6500 | 168 | 32 | 0.1 | 0.3 | 1.5 |
| | | 51 | | | 3.5/5.9 | | | | 108.1 | 128 | 4200 | 41 | 20 | 0.2 | 0.5 | 2 | |
| 100 | 10 | 49 | 40.5 | 41.5 | 6-25 | 16-22 | 15.5 | 5 | M4/M6 | 157.1 | 273.5 | 8100 | 120 | 27 | 0.15 | 0.4 | 1.5 |
| | | 59 | | | 4.5/10 | | | | 179.3 | 339.9 | 6800 | 29 | 17 | 0.3 | 0.6 | 2 | |



| | |
|--------------------------|--|
| Speed | max. 15000 min ⁻¹ |
| Material | bellows - stainless steel collet clamps - aluminium expanding clamps - steel |
| Hub | bore tolerance: H7 |
| Temperature Range | -30 °C ~ 120 °C |
| Keyway | optional acc. DIN 6885 biggest bore marked with a # |

| Size | Dimensions (mm) | | | | | |
|------|-----------------|-----|------|-----|------|-----|
| | E1 | E2 | L1 | L2 | L3 | V |
| 5 | 8 | 6 | 17 | 7 | 11 | 0.5 |
| | | | 21 | | | |
| | | | 24 | | | |
| 10 | 8 | 6 | 19 | 7 | 11 | 0.5 |
| | | | 23 | | | |
| | | | 27 | | | |
| 15 | 12 | 6.5 | 21.5 | 7.5 | 12.5 | 0.5 |
| | | | 25.5 | | | |
| 20 | 12 | 10 | 22 | 11 | 16 | 0.5 |
| | | | 28 | | | |
| | | | 32 | | | |
| 45 | 16 | 12 | 30 | 13 | 20 | 0.5 |
| | | | 38 | | | |
| 100 | 20 | 12 | 36 | 13 | 21 | 1 |
| | | | 46 | | | |



METAL BELLOWS COUPLINGS

KB4 | 18 ~ 1400

Metal Bellows Coupling
with collet clamps



P. 16

KB4AL | 80 ~ 500

Metal Bellows Coupling
with collet clamps



P. 17

KB4C | 18 ~ 500

Metal Bellows Coupling
with collet clamps, compact



P. 18

KB4F | 18 ~ 1400

Metal Bellows Coupling
with adapting flange



P. 19

KB4H | 18 ~ 1400

Metal Bellows Coupling
with split hubs



P. 20

KB4HC | 18 ~ 500

Metal Bellows Coupling
with split hubs



P. 21

KB4K | 40 ~ 1500

Metal Bellows Coupling
with collet clamps



P. 22

KB4P | 18 ~ 500

Metal Bellows Coupling
axial pluggable



P. 23

KB4VA | 18 ~ 500

Metal Bellows Coupling
with stainless steel collet clamps



P. 24

KB5 | 18 ~ 5000

Metal Bellows Coupling
with inner conical hubs



P. 25

KB6 | 18 ~ 5000

Metal Bellows Coupling
with outer conical hubs



P. 26

KB6P | 18 ~ 500

Metal Bellows Coupling
axial pluggable, with outer conical hubs



P. 27

METAL BELLOWS COUPLINGS

KB7 | 18 ~ 5000

Metal Bellows Coupling
for flange mounting



P. 28

KB8 | 18 ~ 300

Metal Bellows Coupling
with expanding clamps



P. 29

KB8P | 18 ~ 300

Metal Bellows Coupling
axial pluggable, with expanding clamps

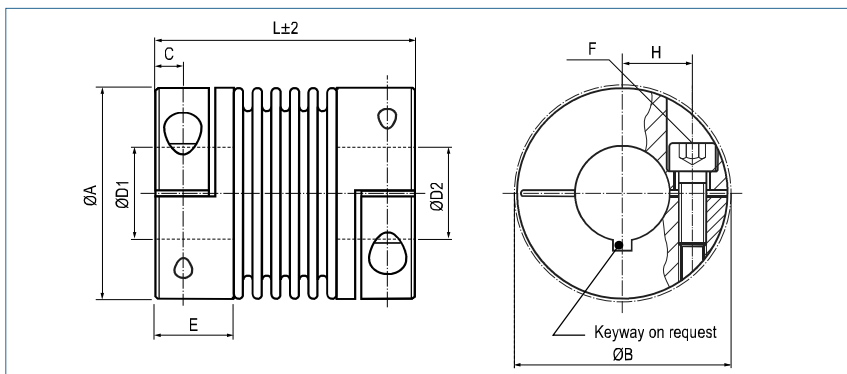


P. 30

Metal Bellows Coupling

with collet clamps

optional
laserwelded
optional full stainless
steel version



Order Code

KB4 / 60 - 89 - 12 - 32 - (S)

Type / Size

Length
L

ØD1
(H7)

ØD2
(H7)

Options

| Size | Torque TKN (Nm) | Dimensions (mm) | | | | | | | | Technical Data | | | | | | | | |
|------|-----------------------|-----------------|------------|-------------------------------|----|------|------|-------|-------------------------------|----------------|-------------------------------------|---------------------------------|------------------------|-----------------------|-----------------------|----------------------|-----------------------|-----------------------|
| | | L | Ø A | D1/D2 | H | C | E | B | F | Mass (kg) | Moment of Inertia J (g m²) | Spring Stiffness | | | Misalignment | | | max speed min-1 |
| | | Length | Outer Ø | Bore Sizes (H7) min-max | | | | | Screw (ISO4762) TA (Nm) | | | torsional CT 10³ (Nm/rad) | radial CR (N/mm) | axial CA (N/mm) | radial ΔKr (mm) | axial ΔKa (mm) | angular ΔKw (°) | |
| 18 | 18 | 63 | 45 | 10-25.4 | 17 | 5.5 | 19.5 | 47.4 | M5 | 0.1 | 0.04 | 20 | 205 | 50 | 0.2 | 0.5 | 1.5 | 12800 |
| | | 71 | | | | | | | 8 | 0.15 | 0.05 | 15 | 82 | 36 | 0.25 | 0.5 | 2 | 12800 |
| 30 | 30 | 65 | 56 | 10-32 | 20 | 7.5 | 24.5 | 56.4 | M6 | 0.3 | 0.15 | 38 | 720 | 50 | 0.15 | 0.6 | 1.5 | 10300 |
| | | 73 | | 15 | | | | | 0.32 | 0.16 | 28 | 225 | 28 | 0.25 | 1 | 2 | 10300 | |
| 60 | 60 | 79 | 66 | 12-35 | 23 | 10 | 29 | 66 | M8 | 0.5 | 0.33 | 75 | 1150 | 90 | 0.15 | 0.6 | 1.5 | 8700 |
| | | 89 | | | | | | | 40 | 0.6 | 0.36 | 50 | 340 | 50 | 0.25 | 1 | 2 | 8700 |
| 80 | 80 | 91 | 82 | 14-44 | 28 | 11 | 33.5 | 82.9 | M10 | 2.3 | 2.3 | 128 | 1200 | 80 | 0.2 | 0.5 | 1.5 | 6900 |
| | | 102 | | | | | | | 84 | 2.4 | 2.4 | 75 | 400 | 50 | 0.25 | 0.8 | 2 | 6900 |
| 150 | 150 | 91 | 82 | 19-44 | 28 | 11 | 33.5 | 82.9 | M10 | 2.3 | 2.5 | 155 | 2020 | 145 | 0.2 | 0.5 | 1.5 | 6900 |
| | | 102 | | | | | | | 84 | 2.4 | 2.6 | 105 | 595 | 85 | 0.25 | 0.8 | 2 | 6900 |
| 200 | 200 | 101 | 90 | 22-47 | 31 | 13 | 38 | 90.8 | M12 | 2.6 | 3.3 | 175 | 2500 | 145 | 0.2 | 0.5 | 1.5 | 6400 |
| | | 113 | | | | | | | 125 | 2.7 | 3.5 | 120 | 460 | 82 | 0.25 | 0.8 | 2 | 6400 |
| 300 | 300 | 105 | 110 | 30-60 | 40 | 13 | 38 | 110 | M12 | 4.3 | 7.6 | 502 | 6300 | 280 | 0.2 | 0.5 | 1.5 | 6000 |
| | | 116 | | | | | | | 145 | 4.4 | 7.8 | 285 | 1400 | 145 | 0.25 | 0.8 | 2 | 6000 |
| 500 | 500 | 112 | 122 | 35-70 | 42 | 15 | 42 | 122 | M12 | 5.5 | 13.5 | 690 | 7790 | 100 | 0.2 | 0.5 | 1.5 | 5000 |
| | | 123 | | | | | | | 145 | 5.6 | 13.7 | 320 | 970 | 85 | 0.25 | 1 | 2 | 5000 |
| 800 | 800 | 168 | 157 | 40-80 | 55 | 22.5 | 55 | 170.3 | 2xM20 400 | 14.3 | 56.9 | 1270 | 700 | 275 | 0.2 | 0.8 | 1.8 | 5000 |
| 1400 | 1400 | 168 | 157 | 50-80 | 55 | 22.5 | 55 | 170.3 | 2xM20 470 | 14.8 | 57.7 | 1270 | 700 | 275 | 0.2 | 0.8 | 1.8 | 5000 |

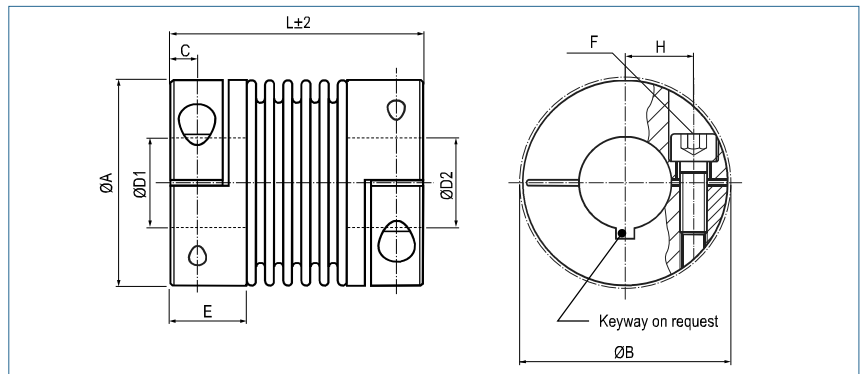


| | |
|--------------------------|--|
| Material | bellows - stainless steel hub -size 18 - 60: aluminium hub - from size 80: steel |
| Hub | bore tolerance: H7 |
| Temperature Range | -30 °C ~ 120 °C size 800/1400: -30 °C ~ 250 °C |
| Keyway | optional acc. DIN 6885 biggest bore marked with a # |

optional
laserwelded
optional full stainless
steel version

Metal Bellows Coupling in aluminum

with collet clamps



Order Code

KB4AL / 80 - 91 - 15 - 20 - (S)

Type / Size

Length
L

ØD1
(H7)

ØD2
(H7)

Options

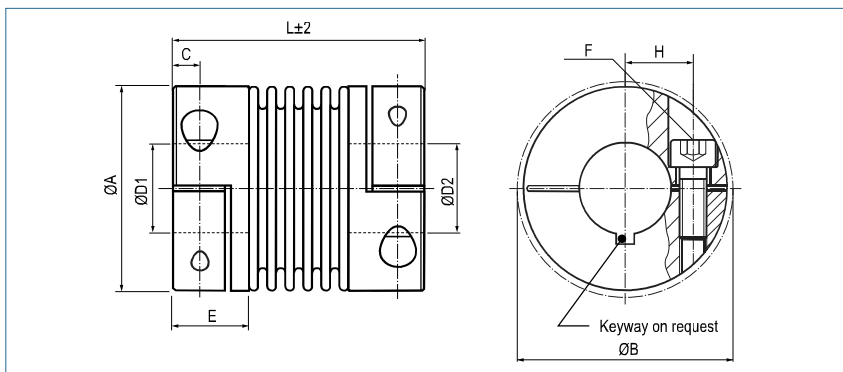
| Size | Torque TKN (Nm) | Dimensions (mm) | | | | | | | | Technical Data | | | | | | | | |
|------|-----------------------|-----------------|------------|-------------------------------|----|----|------|------|-------------------------------|----------------|---|---|------------------------|-----------------------|-----------------------|----------------------|-----------------------|-----------------------------------|
| | | L | Ø A | D1/D2 | H | C | E | | F | Mass (kg) | Moment of Inertia J (g m ²) | Spring Stiffness | | | Misalignment | | | max speed min ⁻¹ |
| | | Length | Outer Ø | Bore Sizes (H7) min~max | | | | | Screw (ISO4762) TA (Nm) | | | torsional CT 10 ³ (Nm/rad) | radial CR (N/mm) | axial CA (N/mm) | radial ΔKr (mm) | axial ΔKa (mm) | angular ΔKw (°) | |
| 80 | 80 | 91 | 82 | 12-44 | 28 | 11 | 33.5 | 82.9 | M10 | 0.8 | 0.90 | 128 | 1200 | 80 | 0.2 | 0.5 | 1.5 | 6900 |
| | | 84 | | | | | | | 0.85 | 0.95 | 75 | 400 | 50 | 0.25 | 0.8 | 2 | 6900 | |
| 150 | 150 | 91 | 82 | 14-44 | 28 | 11 | 33.5 | 82.9 | M10 | 0.9 | 1.0 | 155 | 2020 | 145 | 0.2 | 0.5 | 1.5 | 6900 |
| | | 84 | | | | | | | 0.95 | 1.05 | 105 | 595 | 85 | 0.25 | 0.8 | 2 | 6900 | |
| 200 | 200 | 101 | 90 | 16-47 | 31 | 13 | 38 | 90.8 | M12 | 1.17 | 1.49 | 175 | 2500 | 145 | 0.2 | 0.5 | 1.5 | 6400 |
| | | 125 | | | | | | | 1.21 | 1.57 | 120 | 460 | 82 | 0.25 | 0.8 | 2 | 6400 | |
| 300 | 300 | 105 | 110 | 20-60 | 40 | 13 | 38 | 110 | M12 | 1.62 | 3.28 | 502 | 6300 | 280 | 0.2 | 0.5 | 1.5 | 6000 |
| | | 145 | | | | | | | 1.66 | 3.37 | 285 | 1400 | 145 | 0.25 | 0.8 | 2 | 6000 | |
| 500 | 500 | 112 | 122 | 25-70 | 42 | 15 | 42 | 122 | M12 | 2.4 | 6.4 | 690 | 7790 | 100 | 0.2 | 0.5 | 1.5 | 5000 |
| | | 145 | | | | | | | 2.5 | 6.7 | 320 | 970 | 85 | 0.25 | 1.0 | 2 | 5000 | |

| | |
|--------------------------|--|
| Material | bellows - stainless steel hub - aluminium |
| Hub | bore tolerance: H7 |
| Temperature Range | -30 °C ~ 120 °C |
| Keyway | optional acc. DIN 6885 |

Metal Bellows Coupling compact

with Collet Clamps

optional
laserwelded
optional full stainless
steel version



Order Code

KB4C / 60 - 67 - 12 - 32 - (S)

Type / Size

Length
L

ØD1
(H7)

ØD2
(H7)

Options

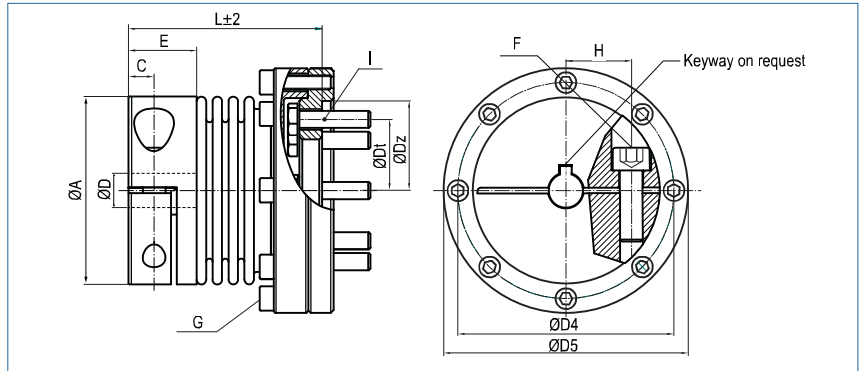
| Size | Torque TKN (Nm) | Dimensions (mm) | | | | | | | | Technical Data | | | | | | | | |
|------|-----------------------|-----------------|------------|-------------------------------|----|------|------|------|-------------------------------|----------------|---|---|------------------------|-----------------------|-----------------------|----------------------|-----------------------|------------------------|
| | | L | Ø A | D1/D2 | H | C | E | B | F | Mass (kg) | Moment of Inertia J (g m ²) | Spring Stiffness | | | Misalignment | | | max. speed min-1 |
| | | Length | Outer Ø | Bore Sizes (H7) min~max | | | | | Screw (ISO4762) TA (Nm) | | | torsional CT 10 ³ (Nm/rad) | radial CR (N/mm) | axial CA (N/mm) | radial ΔKr (mm) | axial ΔKa (mm) | angular ΔKw (°) | |
| 18 | 18 | 58 | 45 | 10-25.4 | 17 | 5.5 | 17.5 | 47.4 | M5 | 0.07 | 0.03 | 20 | 205 | 50 | 0.2 | 0.5 | 1.5 | 12800 |
| | | 8 | | | | | | | 0.12 | 0.04 | 15 | 82 | 36 | 0.25 | 0.5 | 2 | 12800 | |
| 30 | 30 | 58 | 56 | 10-32 | 20 | 7.3 | 21 | 56.4 | M6 | 0.26 | 0.13 | 38 | 720 | 50 | 0.15 | 0.6 | 1.5 | 10300 |
| | | 15 | | 0.27 | | | | 0.14 | 28 | 225 | 28 | 0.25 | 1 | 2 | 10300 | | | |
| 60 | 60 | 67 | 66 | 12-35 | 24 | 8.6 | 24 | 66.2 | M8 | 0.38 | 0.28 | 75 | 1150 | 90 | 0.15 | 0.6 | 1.5 | 8700 |
| | | 40 | | | | | | 0.42 | 0.31 | 50 | 340 | 50 | 0.25 | 1 | 2 | 8700 | | |
| 80 | 80 | 78 | 82 | 12-44 | 28 | 9.8 | 27 | 82.9 | M10 | 0.70 | 0.78 | 128 | 1200 | 80 | 0.2 | 0.5 | 1.5 | 6900 |
| | | 84 | | | | | | 0.76 | 0.85 | 75 | 400 | 50 | 0.25 | 0.8 | 2 | 6900 | | |
| 150 | 150 | 78 | 82 | 14-44 | 28 | 9.8 | 27 | 82.9 | M10 | 0.73 | 0.82 | 155 | 2020 | 145 | 0.2 | 0.5 | 1.5 | 6900 |
| | | 84 | | | | | | 0.80 | 0.89 | 105 | 595 | 85 | 0.25 | 0.8 | 2 | 6900 | | |
| 200 | 200 | 83 | 90 | 16-47 | 31 | 10.8 | 29 | 90.8 | M12 | 0.89 | 1.19 | 175 | 2500 | 145 | 0.2 | 0.5 | 1.5 | 6400 |
| | | 125 | | | | | | 0.95 | 1.27 | 120 | 460 | 82 | 0.25 | 0.8 | 2 | 6400 | | |
| 300 | 300 | 94 | 110 | 20-60 | 39 | 11.8 | 32.5 | 110 | M12 | 1.37 | 2.74 | 502 | 6300 | 280 | 0.2 | 0.5 | 1.5 | 6000 |
| | | 145 | | | | | | 1.43 | 2.86 | 285 | 1400 | 145 | 0.25 | 0.8 | 2 | 6000 | | |
| 500 | 500 | 100 | 122 | 25-70 | 45 | 13.3 | 36 | 122 | M12 | 1.81 | 4.45 | 690 | 7790 | 100 | 0.2 | 0.5 | 1.5 | 5000 |
| | | 145 | | | | | | 1.91 | 4.69 | 320 | 970 | 85 | 0.25 | 1 | 2 | 5000 | | |

| | |
|--------------------------|--|
| Material | bellows - stainless steel hub - aluminium |
| Hub | bore tolerance: H7 |
| Temperature Range | -30 °C ~ 120 °C |
| Keyway | optional acc. DIN 6885 biggest bore marked with a # |

Metal Bellows Coupling

with adapting flange

optional
laserwelded
optional full stainless
steel version



Order Code

KB4F / 150 - 79 - 30 - 63

Type / Size

Length
L

ØD
(H7)

Dt

| Size | Torque TKN (Nm) | Dimensions (mm) | | | | | | | | Technical Data | | | | | | | | |
|------|-----------------------|-----------------|------------|------------------------------|----|------|------|------|-------------------------------|----------------|--|---------------------------------|------------------------|-----------------------|-----------------------|----------------------|-----------------------|--------------------------|
| | | L | Ø A | D1 | H | C | E | D4 | F | Mass (kg) | Moment of Inertia J (g m²) | Spring Stiffness | | | Misalignment | | | max. speed (min-1) |
| | | Length | Outer Ø | Bore Size (H7) min-max | | | | | Screw (ISO4762) TA (Nm) | | | torsional CT 10³ (Nm/rad) | radial CR (N/mm) | axial CA (N/mm) | radial ΔKr (mm) | axial ΔKa (mm) | angular ΔKw (°) | |
| 18 | 18 | 63 | 45 | 10-25.4 | 17 | 5.5 | 17.5 | 56.5 | M5 | 0.50 | 0.15 | 20 | 205 | 50 | 0.2 | 0.5 | 1.5 | 12800 |
| | | 71 | | | | | | | 8 | 0.52 | 0.16 | 15 | 82 | 36 | 0.25 | 0.5 | 2 | |
| 30 | 30 | 61 | 56 | 10-32 | 20 | 7.3 | 21 | 65 | M6 | 0.70 | 0.20 | 38 | 720 | 50 | 0.15 | 0.6 | 1.5 | 10300 |
| | | 69 | | 15 | | | | | 0.72 | 0.21 | 28 | 225 | 28 | 0.25 | 1.0 | 2 | | |
| 60 | 60 | 68 | 66 | 12-35 | 23 | 8.6 | 24 | 76 | M8 | 1.00 | 0.65 | 75 | 1150 | 90 | 0.15 | 0.6 | 1.5 | 8700 |
| | | 78 | | 40 | | | | | 1.05 | 0.68 | 50 | 340 | 50 | 0.25 | 1.0 | 2 | | |
| 150 | 150 | 79 | 82 | 14-44 | 28 | 9.8 | 27 | 94 | M10 | 1.65 | 1.30 | 155 | 2020 | 145 | 0.2 | 0.5 | 1.5 | 6900 |
| | | 90 | | 84 | | | | | 1.75 | 1.37 | 105 | 595 | 85 | 0.25 | 0.8 | 2 | | |
| 300 | 300 | 90 | 110 | 30-60 | 39 | 11.8 | 32.5 | 120 | M12 | 2.90 | 5.50 | 502 | 6300 | 280 | 0.2 | 0.5 | 1.5 | 6000 |
| | | 101 | | 145 | | | | | 3.00 | 5.62 | 285 | 1400 | 145 | 0.25 | 0.8 | 2 | | |
| 500 | 500 | 100 | 122 | 35-70 | 45 | 13.3 | 36 | 142 | M12 | 4.55 | 9.00 | 690 | 7790 | 100 | 0.2 | 0.5 | 1.5 | 5000 |
| | | 111 | | 145 | | | | | 4.70 | 9.15 | 320 | 970 | 85 | 0.25 | 1 | 2 | | |
| 1400 | 1400 | 140 | 157 | 50-80 | 55 | 22.5 | 55 | 171 | 2xM20 | 10.50 | 45 | 1270 | 700 | 275 | 0.2 | 0.8 | 1.8 | 5000 |
| | | | | | | | | | 470 | | | | | | | | | |



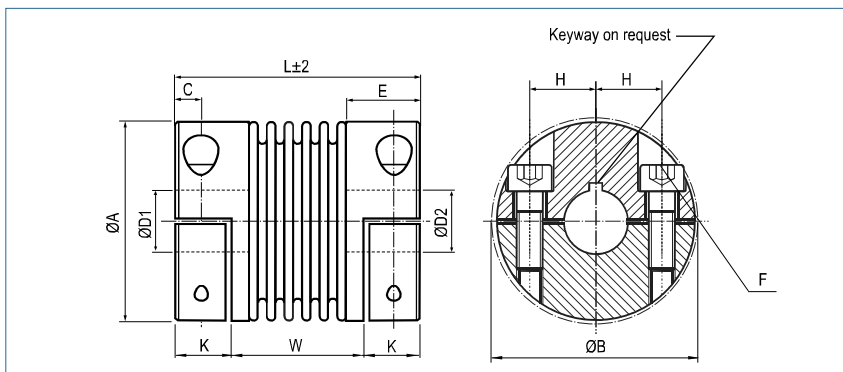
| | |
|--------------------------|---|
| Material | bellows - stainless steel collet clamps - to Size 500: high-tensile aluminium collet clamps - Size 1400: Steel flanges - steel |
| Hub | bore tolerance: H7 |
| Temperature Range | -30 °C ~ 120 °C -30 °C ~ 250 °C (Size 1400) |
| Keyway | optional acc. DIN 6885 biggest bore marked with a # |

| Size | Dimensions (mm) | | | | |
|------|------------------------------|------|------|-----|------------------------------|
| | G | D5 | Dt | Dz | I |
| | Screw (ISO4762) / TA (Nm) | | PCD | H7 | Screw (ISO4017) / TA (Nm) |
| 18 | 8 x M4 / 4.5Nm | 63.5 | 31.5 | 40 | 8 x M5 / 7.6Nm |
| 30 | 8 x M5 / 8Nm | 74 | 40 | 50 | 8 x M6 / 13.2Nm |
| 60 | 8 x M5 / 8Nm | 86 | 50 | 63 | 8 x M6 / 13.2Nm |
| 150 | 8 x M6 / 15Nm | 104 | 63 | 80 | 12 x M6 / 13.2Nm |
| 300 | 12 x M6 / 15Nm | 132 | 80 | 100 | 12 x M8 / 31.8Nm |
| 500 | 12 x M8 / 40Nm | 155 | 100 | 130 | 12 x M10 / 63Nm |
| 1400 | 16 x M8 / 40Nm | 184 | 125 | 160 | 12 x M10 / 63Nm |

Metal Bellows Coupling

with split hubs

optional
laserwelded
optional full stainless
steel version



Order Code

KB4H / 60 - 83 - 20 - 20 - (S)

Type / Size

Length
L

ØD1
(H7)

ØD2
(H7)

Options

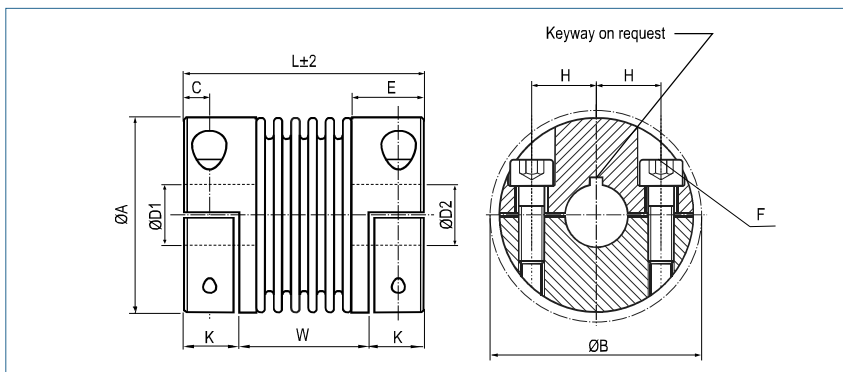
| Size | Torque TKN (Nm) | Dimensions (mm) | | | | | | | | | | Technical Data | | | | | | | | |
|------|-----------------------|---------------------|-------------------|--|----|------|------|------|------|------|------------------------------------|----------------|------------------------------|---|------------------------|-----------------------|-----------------------|----------------------|-----------------------|--------------------------|
| | | L Length (±2) | Ø A Outer Ø | D1/D2 Bore Sizes (H7) min-max | H | C | E | W | K | B | F Screw (ISO4762) TA (Nm) | Mass (kg) | Moment of Inertia J | Spring Stiffness | | | Misalignment | | | max. speed (min-1) |
| | | | | | | | | | | | | | | torsional CT 10 ³ (Nm/rad) | radial CR (N/mm) | axial CA (N/mm) | radial ΔKr (mm) | axial ΔKa (mm) | angular ΔKw (°) | |
| 18 | 18 | 63 | 45 | 10-25.4 | 17 | 5.5 | 19.5 | 37 | 13 | 47.4 | M5 | 0.1 | 0.04 | 20 | 205 | 50 | 0.2 | 0.5 | 1.5 | 12800 |
| | | 71 | | | | | | 8 | | | | | | 0.15 | 0.05 | 15 | 82 | 36 | 0.25 | 0.5 |
| 30 | 30 | 69 | 56 | 10-32 | 20 | 7.5 | 27 | 35 | 17 | 56.4 | M6 | 0.3 | 0.14 | 38 | 720 | 50 | 0.15 | 0.6 | 1.5 | 10300 |
| | | 77 | | 15 | | | | 0.32 | | | | | | 0.15 | 28 | 225 | 28 | 0.25 | 1 | 2 |
| 60 | 60 | 83 | 66 | 12-35 | 23 | 9.5 | 31 | 41 | 21 | 66.2 | M8 | 0.5 | 0.28 | 75 | 1150 | 90 | 0.15 | 0.6 | 1.5 | 8700 |
| | | 93 | | | | | | 40 | | | | | | 0.6 | 0.29 | 50 | 340 | 50 | 0.25 | 1 |
| 80 | 80 | 94 | 82 | 12-44 | 28 | 11 | 36 | 47 | 23.5 | 82.9 | M10 | 0.9 | 0.65 | 128 | 1200 | 80 | 0.2 | 0.5 | 1.5 | 6900 |
| | | 106 | | | | | | 84 | | | | | | 0.95 | 0.67 | 75 | 400 | 50 | 0.25 | 0.8 |
| 150 | 150 | 95 | 82 | 14-44 | 28 | 11 | 36 | 48 | 23.5 | 82.9 | M10 | 0.9 | 0.82 | 155 | 2020 | 145 | 0.2 | 0.5 | 1.5 | 6900 |
| | | 107 | | | | | | 84 | | | | | | 0.95 | 0.86 | 105 | 595 | 85 | 0.25 | 0.8 |
| 200 | 200 | 105 | 90 | 16-47 | 31 | 12.5 | 41 | 51 | 27 | 90.8 | M12 | 1.3 | 2.2 | 175 | 2500 | 145 | 0.2 | 0.5 | 1.5 | 6400 |
| | | 117 | | | | | | 125 | | | | | | 1.35 | 2.7 | 120 | 460 | 82 | 0.25 | 0.8 |
| 300 | 300 | 111 | 110 | 20-60 | 39 | 13 | 41 | 55 | 28 | 110 | M12 | 1.8 | 4.2 | 502 | 6300 | 280 | 0.2 | 0.5 | 1.5 | 6000 |
| | | 125 | | | | | | 145 | | | | | | 1.85 | 5.2 | 285 | 1400 | 145 | 0.25 | 0.8 |
| 500 | 500 | 133 | 122 | 25-70 | 42 | 15 | 51 | 62 | 35.5 | 122 | M12 | 2.50 | 8.6 | 690 | 7790 | 100 | 0.2 | 0.5 | 1.5 | 5000 |
| | | 146 | | | | | | 145 | | | | | | 2.51 | 9.3 | 320 | 970 | 85 | 0.25 | 1 |
| 800 | 800 | 168 | 157 | 40-80 | 55 | 22.5 | 66.5 | 77 | 45.5 | 168 | M20 400 | 14.8 | 57.65 | 1270 | 700 | 275 | 0.2 | 0.8 | 1.8 | 5000 |
| 1400 | 1400 | 168 | 157 | 50-80 | 55 | 22.5 | 66.5 | 77 | 45.5 | 168 | M20 400 | 15.3 | 58.70 | 1270 | 700 | 275 | 0.2 | 0.8 | 1.8 | 5000 |

| | |
|--------------------------|---|
| Material | bellows - stainless steel hub - to size 500: aluminium hub - from size 800: steel |
| Hub | bore tolerance: H7 |
| Temperature Range | -30 °C ~ 120 °C size 800/1400: -30 °C ~ 250 °C |
| Keyway | optional acc. DIN 6885 biggest bore marked with a # |

Metal Bellows Coupling

with split hubs, compact

optional
laserwelded
optional full stainless
steel version



Order Code

KB4HC / 60 - 67 - 20 - 20 - (S)

Type / Size

Length
L

ØD1
(H7)

ØD2
(H7)

Options

| Size | Torque TKN (Nm) | Dimensions (mm) | | | | | | | | | | Technical Data | | | | | | | | |
|------|-----------------------|-----------------|-------------------|--|----|------|------|----|------|------|------------------------------------|----------------|---|------------------------|-----------------------|-----------------------|----------------------|-----------------------|-----|---------------------------------------|
| | | L Length | Ø A Outer Ø | D1/D2 Bore Sizes (H7) min~max | H | C | E | W | K | B | F Screw (ISO4762) TA (Nm) | Mass (kg) | Moment of Inertia J | Spring Stiffness | | | Misalignment | | | max. speed (min ⁻¹) |
| | | | | | | | | | | | | | torsional CT 10 ³ (Nm/rad) | radial CR (N/mm) | axial CA (N/mm) | radial ΔKr (mm) | axial ΔKa (mm) | angular ΔKw (°) | | |
| 18 | 18 | 58 | 45 | 10-25.4 | 17 | 5.5 | 17.5 | 36 | 11 | 47.4 | M5 | 0.07 | 0.03 | 20 | 205 | 50 | 0.2 | 0.5 | 1.5 | 12800 |
| | | 66 | | | | | | 44 | | | | | | | | | | | | |
| 30 | 30 | 58 | 56 | 10-32 | 20 | 7.3 | 21 | 31 | 13.5 | 56.4 | M6 | 0.26 | 0.13 | 38 | 720 | 50 | 0.15 | 0.6 | 1.5 | 10300 |
| | | 66 | | 30# | | | | 39 | | | | | | | | | | | | |
| 60 | 60 | 67 | 66 | 12-35 | 23 | 8.6 | 24 | 33 | 17 | 66.2 | M8 | 0.38 | 0.28 | 75 | 1150 | 90 | 0.15 | 0.6 | 1.5 | 8700 |
| | | 77 | | | | | | 43 | | | | | | | | | | | | |
| 80 | 80 | 78 | 82 | 12-44 | 28 | 9.8 | 27 | 42 | 18 | 82.9 | M10 | 0.70 | 0.78 | 128 | 1200 | 80 | 0.2 | 0.5 | 1.5 | 6900 |
| | | 89 | | | | | | 53 | | | | | | | | | | | | |
| 150 | 150 | 78 | 82 | 14-44 | 28 | 9.8 | 27 | 42 | 18 | 82.9 | M10 | 0.73 | 0.82 | 155 | 2020 | 145 | 0.2 | 0.5 | 1.5 | 6900 |
| | | 89 | | | | | | 53 | | | | | | | | | | | | |
| 200 | 200 | 83 | 90 | 16-47 | 31 | 10.8 | 29 | 43 | 20 | 90.8 | M12 | 0.89 | 1.19 | 175 | 2500 | 145 | 0.2 | 0.5 | 1.5 | 6400 |
| | | 94 | | | | | | 54 | | | | | | | | | | | | |
| 300 | 300 | 94 | 110 | 20-60 | 39 | 11.8 | 32.5 | 50 | 22 | 110 | M12 | 1.37 | 2.74 | 502 | 6300 | 280 | 0.2 | 0.5 | 1.5 | 6000 |
| | | 105 | | | | | | 61 | | | | | | | | | | | | |
| 500 | 500 | 100 | 122 | 25-70 | 45 | 13.3 | 36 | 48 | 26 | 122 | M12 | 1.81 | 4.45 | 690 | 7790 | 100 | 0.2 | 0.5 | 1.5 | 5000 |
| | | 111 | | | | | | 59 | | | | | | | | | | | | |

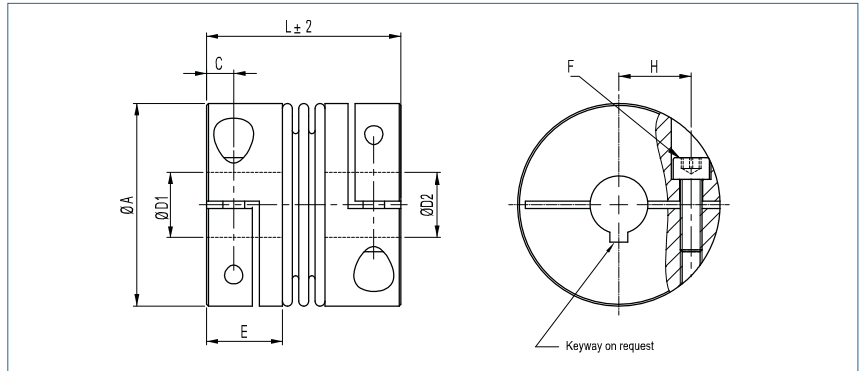


| | |
|--------------------------|--|
| Material | bellows - stainless steel hub - aluminium |
| Hub | bore tolerance: H7 |
| Temperature Range | -30 °C ~ 120 °C |
| Keyway | optional acc. DIN 6885 biggest bore marked with a # |

Metal Bellows Coupling

with collet clamps

optional
laserwelded
optional full stainless
steel version



Order Code

KB4K / 400 - 75 - 44 - 40 - (S)

Type / Size

Length
L

ØD1
(H7)

ØD2
(H7)

Options

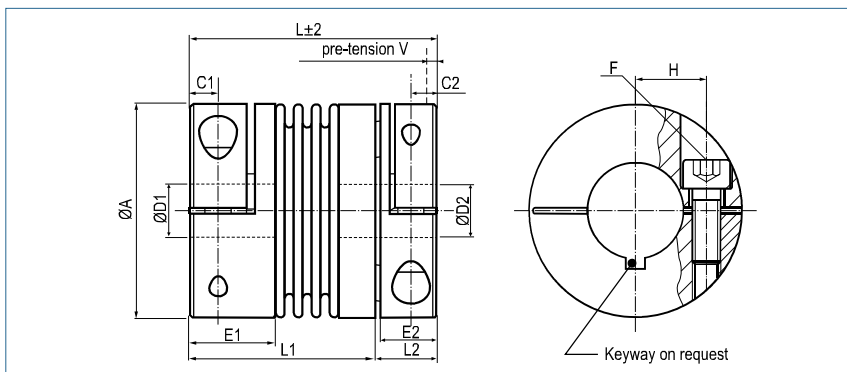
| Size | Torque TKN (Nm) | Dimensions (mm) | | | | | | | Technical Data | | | | | | | | |
|------|-----------------------|-----------------|-------------------|--|----|------|------|------------------------------------|----------------|---|------------------------|-----------------------|-----------------------|----------------------|-----------------------|-----|--------------------------------------|
| | | L Length | Ø A Outer Ø | D1/D2 Bore Sizes (H7) min~max | H | C | E | F Screw (ISO4762) TA (Nm) | Mass (kg) | Moment of Inertia J (g m ²) | Spring Stiffness | | | Misalignment | | | max speed (min ⁻¹) |
| | | | | | | | | | | torsional CT 10 ³ (Nm/rad) | radial CR (N/mm) | axial CA (N/mm) | radial ΔKr (mm) | axial ΔKa (mm) | angular ΔKw (°) | | |
| 40 | 40 | 46 | 45 | 10-25.4 | 17 | 5.5 | 17.5 | M5 8 | 0.07 | 0.04 | 3 | 3350 | 97 | 0.05 | 0.5 | 0.5 | 12800 |
| 80 | 80 | 55 | 56 | 12-32 30# | 20 | 7.3 | 21 | M6 15 | 0.26 | 0.14 | 11 | 6436 | 165 | 0.05 | 0.5 | 0.5 | 10300 |
| 200 | 200 | 60 | 66 | 16-35 | 23 | 8.6 | 23 | M8 40 | 0.38 | 0.28 | 40 | 12442 | 287 | 0.1 | 1 | 0.5 | 8700 |
| 400 | 400 | 75 | 82 | 32-44 | 28 | 9.8 | 27 | M10 84 | 0.70 | 0.82 | 76 | 6815 | 338 | 0.1 | 1 | 0.5 | 6900 |
| 650 | 650 | 78 | 90 | 37-47 | 39 | 10.8 | 29 | M12 125 | 0.89 | 1.19 | 103 | 7910 | 386 | 0.1 | 1.5 | 1 | 6400 |
| 1000 | 1000 | 89 | 110 | 42-60 | 39 | 11.8 | 32,5 | M12 145 | 1.37 | 2.74 | 1252 | 29096 | 756 | 0.1 | 1.5 | 1 | 6000 |
| 1500 | 1500 | 96 | 122 | 50-70 | 45 | 13.3 | 36 | M12 145 | 1.81 | 4.45 | 693 | 20694 | 639 | 0.1 | 1.5 | 1 | 5000 |

| | |
|--------------------------|--|
| Material | bellows - stainless steel hub - aluminium |
| Hub | bore tolerance: H7 |
| Temperature Range | -30 °C ~ 120 °C |
| Keyway | optional acc. DIN 6885 biggest bore marked with a # |

Metal Bellows Coupling

axial pluggable, with collet clamps

optional
laserwelded
optional full stainless
steel version



Order Code

KB4P / 150 - 95 - 44 - 28 - D - (S)

Type / Size

Length
L

ØD1
(H7)

ØD2
(H7)

Plug System

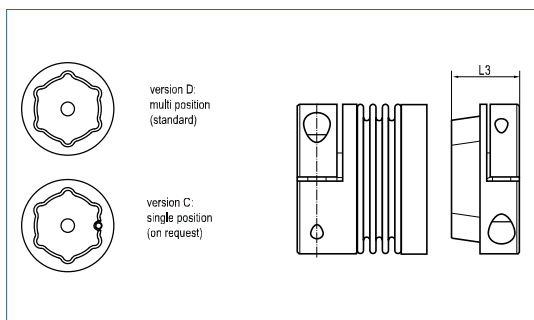
Options

| Size | Torque TKN (Nm) | Dimensions (mm) | | | | | | | | | | Technical Data | | | | | | | | |
|------|-----------------------|-----------------|----------------|--|----|-----|------|------|------|------|-----|-------------------------------|--------------|---|------------------------|-----------------------|-----------------------|----------------------|-----------------------|-------|
| | | L Length | Ø A Outer Ø | D1/D2 Bore Sizes (H7) min-max | H | C1 | C2 | E1 | E2 | B | F | Screw (ISO4762) TA (Nm) | Mass (kg) | Moment of Inertia J (g m ²) | Spring Stiffness | | | Misalignment | | |
| | | | | | | | | | | | | | | torsional CT 10° (Nm/rad) | radial CR (N/mm) | axial CA (N/mm) | radial ΔKr (mm) | axial ΔKa (mm) | angular ΔKw (°) | |
| 18 | 18 | 62 | 45 | 10-24 | 17 | 5.5 | 5.5 | 17.5 | 12 | 47.4 | M5 | 0.14 | 0.05 | 20 | 205 | 50 | 0.2 | 0.5 | 1.5 | 12800 |
| | | 70 | | | | | | | | | 8 | 0.19 | 0.06 | 15 | 82 | 36 | 0.25 | 0.5 | 2 | |
| 30 | 30 | 73 | 56 | 10-30 | 20 | 7.5 | 7.3 | 24.5 | 17 | 56.4 | M6 | 0.29 | 0.14 | 38 | 720 | 50 | 0.15 | 0.6 | 1.5 | 10300 |
| | | 81 | | | | | | | | | 15 | 0.31 | 0.15 | 28 | 225 | 28 | 0.25 | 1.0 | 2 | |
| 60 | 60 | 85 | 66 | 12-35 | 23 | 10 | 8.6 | 29 | 21 | 66 | M8 | 0.47 | 0.33 | 75 | 1150 | 90 | 0.15 | 0.6 | 1.5 | 8700 |
| | | 95 | | | | | | | | | 40 | 0.57 | 0.36 | 50 | 340 | 50 | 0.25 | 1.0 | 2 | |
| 80 | 80 | 95 | 82 | 12-44 | 28 | 11 | 9.8 | 33.5 | 21.5 | 82.9 | M10 | 0.81 | 0.89 | 128 | 1200 | 80 | 0.2 | 0.5 | 1.5 | 6900 |
| | | 106 | | | | | | | | | 84 | 0.90 | 0.99 | 75 | 400 | 50 | 0.25 | 0.8 | 2 | |
| 150 | 150 | 95 | 82 | 14-44 | 28 | 11 | 9.8 | 33.5 | 21.5 | 82.9 | M10 | 0.91 | 1.08 | 155 | 2020 | 145 | 0.2 | 0.5 | 1.5 | 6900 |
| | | 106 | | | | | | | | | 84 | 1.00 | 1.18 | 105 | 595 | 85 | 0.25 | 0.8 | 2 | |
| 200 | 200 | 105 | 90 | 16-47 | 39 | 13 | 10.8 | 38 | 24 | 90.8 | M12 | 1.16 | 1.47 | 175 | 2500 | 145 | 0.2 | 0.5 | 1.5 | 6400 |
| | | 117 | | | | | | | | | 125 | 1.26 | 1.67 | 120 | 460 | 82 | 0.25 | 0.8 | 2 | |
| 300 | 300 | 114 | 110 | 20-60 | 39 | 13 | 10.8 | 38 | 27 | 110 | M12 | 1.68 | 3.33 | 502 | 6300 | 280 | 0.2 | 0.5 | 1.5 | 6000 |
| | | 125 | | | | | | | | | 145 | 1.78 | 3.53 | 285 | 1400 | 145 | 0.25 | 0.8 | 2 | |
| 500 | 500 | 136 | 122 | 25-70 | 45 | 15 | 13.3 | 42 | 42 | 122 | M12 | 2.50 | 6.21 | 690 | 7790 | 100 | 0.2 | 0.5 | 1.5 | 5000 |
| | | 147 | | | | | | | | | 145 | 2.60 | 6.41 | 320 | 970 | 85 | 0.25 | 1.0 | 2 | |



| | |
|--------------------------|---|
| Material | bellows – stainless steel hub - high-tensile aluminium |
| Hub | bore tolerance: H7 |
| Keyway | optional acc. DIN 6885 |
| Temperature Range | -30 °C ~ 120 °C |

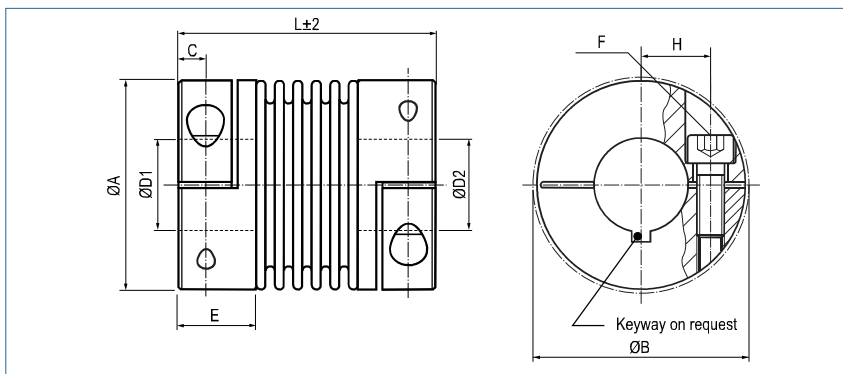
| Size | Dimensions (mm) | | | |
|------|-----------------|------|------|---------|
| | L1 | L2 | L3 | V |
| 18 | 48 | 14 | 22 | 0.5-1.0 |
| | 56 | | | |
| 30 | 54 | 19 | 31 | 0.5-1.0 |
| | 62 | | | |
| 60 | 62 | 23 | 35 | 0.5-1.5 |
| | 72 | | | |
| 80 | 71.5 | 23.5 | 37.5 | 0.5-1.5 |
| | 82.5 | | | |
| 150 | 71.5 | 23.5 | 37.5 | 0.5-1.5 |
| | 82.5 | | | |
| 200 | 79 | 26 | 42 | 0.5-1.5 |
| | 91 | | | |
| 300 | 85 | 29 | 47 | 0.5-1.5 |
| | 96 | | | |
| 500 | 92 | 44 | 66 | 0.5-2.0 |
| | 103 | | | |



Metal Bellows Coupling

with stainless steel collet clamps

optional
laserwelded



Order Code

KB4 / 60 - 89 - 12 - 32 - VA/VAW

Type / Size Length L ØD1 (H7) ØD2 (H7) Stainless Steel glued / laserwelded

| Size | Torque TKN (Nm) | Dimensions (mm) | | | | | | | | Technical Data | | | | | | | | |
|------|-----------------|-----------------|---------|-------------------------|----|-----|------|------|-------------------------|----------------|----------------------------|---------------------------|------------------|-----------------|-----------------|----------------|-----------------|-----------------|
| | | L | Ø A | D1/D2 | H | C | E | B | F | Mass (kg) | Moment of Inertia J (g m²) | Spring Stiffness | | | Misalignment | | | max speed min-1 |
| | | Length | Outer Ø | Bore Sizes (H7) min-max | | | | | Screw (ISO4762) TA (Nm) | | | torsional CT 10³ (Nm/rad) | radial CR (N/mm) | axial CA (N/mm) | radial ΔKr (mm) | axial ΔKa (mm) | angular ΔKw (°) | |
| 18 | 18 | 63 | 45 | 10-25.4 | 17 | 5.5 | 19.5 | 47.4 | M5 | 0.27 | 0.11 | 20 | 205 | 50 | 0.2 | 0.5 | 1.5 | 12800 |
| | | 71 | | | | | | | 8 | 0.41 | 0.14 | 15 | 82 | 36 | 0.25 | 0.5 | 2 | 12800 |
| 30 | 30 | 65 | 56 | 10-32 #30 | 20 | 7.5 | 24.5 | 56.4 | M6 | 0.83 | 0.41 | 38 | 720 | 50 | 0.15 | 0.6 | 1.5 | 10300 |
| | | 73 | | | | | | | 15 | 0.89 | 0.44 | 28 | 225 | 28 | 0.25 | 1 | 2 | 10300 |
| 60 | 60 | 79 | 66 | 12-35 | 23 | 10 | 29 | 66 | M8 | 1.4 | 0.91 | 75 | 1150 | 90 | 0.15 | 0.6 | 1.5 | 8700 |
| | | 89 | | | | | | | 40 | 1.7 | 1.00 | 50 | 340 | 50 | 0.25 | 1 | 2 | 8700 |
| 80 | 80 | 91 | 82 | 14-44 | 28 | 11 | 33.5 | 82.9 | M10 | 2.3 | 2 | 128 | 1200 | 80 | 0.2 | 0.5 | 1.5 | 6900 |
| | | 102 | | | | | | | 84 | 2.4 | 2.1 | 75 | 400 | 50 | 0.25 | 0.8 | 2 | 6900 |
| 150 | 150 | 91 | 82 | 19-44 | 28 | 11 | 33.5 | 82.9 | M10 | 2.3 | 2 | 155 | 2020 | 145 | 0.2 | 0.5 | 1.5 | 6900 |
| | | 102 | | | | | | | 84 | 2.4 | 2.1 | 105 | 595 | 85 | 0.25 | 0.8 | 2 | 6900 |
| 200 | 200 | 101 | 90 | 22-47 | 31 | 13 | 38 | 90.8 | M12 | 2.6 | 3.3 | 175 | 2500 | 145 | 0.2 | 0.5 | 1.5 | 6400 |
| | | 113 | | | | | | | 125 | 2.7 | 3.5 | 120 | 460 | 82 | 0.25 | 0.8 | 2 | 6400 |
| 300 | 300 | 105 | 110 | 30-60 | 40 | 13 | 38 | 110 | M12 | 3.6 | 7.3 | 502 | 6300 | 280 | 0.2 | 0.5 | 1.5 | 6000 |
| | | 116 | | | | | | | 145 | 3.7 | 7.5 | 285 | 1400 | 145 | 0.25 | 0.8 | 2 | 6000 |
| 500 | 500 | 112 | 122 | 35-70 | 42 | 15 | 42 | 122 | M12 | 5.1 | 12.4 | 690 | 7790 | 100 | 0.2 | 0.5 | 1.5 | 5000 |
| | | 123 | | | | | | | 145 | 5.2 | 12.7 | 320 | 970 | 85 | 0.25 | 1 | 2 | 5000 |

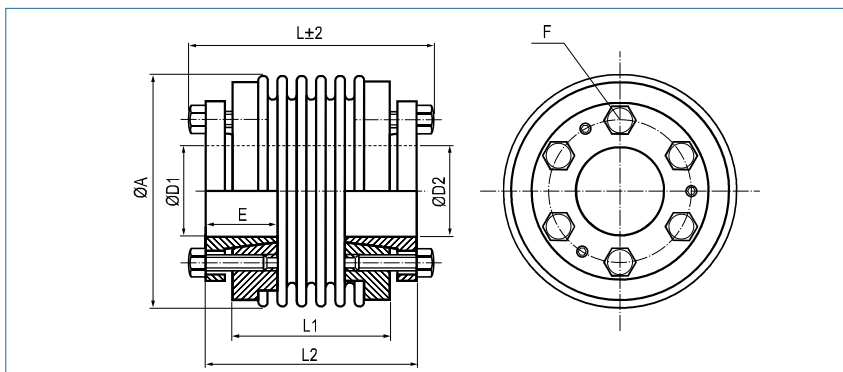
| | |
|--------------------------|---|
| Material | bellows - stainless steel hub - stainless steel |
| Hub | bore tolerance: H7 |
| Temperature Range | VA -30 °C ~ 120 °C (glued) VAW -30 °C ~ 250 °C (laserwelded) |
| Keyway | optional acc. DIN 6885 biggest bore marked with a # |

Metal Bellows Coupling

with inner conical hubs

optional
laserwelded
optional full stainless
steel version

optional chem.
nickel-plated



Order Code

KB5 / 60 - 73 - 20 - 25 - (S)

Type / Size Length L ØD1 (H7) ØD2 (H7) Options

| Size | Torque TKN (Nm) | Dimensions (mm) | | | | | | | Technical Data | | | | | | | | |
|------|-----------------|-----------------|---------|-------------------------|------------|-----|-----|-------------------------|----------------|---|---------------------------------------|------------------|-----------------|-----------------|----------------|-----------------|--------------------|
| | | L | Ø A | D1/D2 | E | L1 | L2 | F | Mass (kg) | Moment of Inertia J (g m ²) | Spring Stiffness | | | Misalignment | | | max. speed (min-1) |
| | | Length (±2) | Outer Ø | Bore Sizes (H7) min~max | Hub-length | | | Screw (ISO4017) TA (Nm) | | | torsional CT 10 ³ (Nm/rad) | radial CR (N/mm) | axial CA (N/mm) | radial ΔKr (mm) | axial ΔKa (mm) | angular ΔKw (°) | |
| 18 | 18 | 63 | 45 | 10-18 | 20 | 38 | 56 | 4xM5 | 0.36 | 0.075 | 20 | 205 | 50 | 0.2 | 0.5 | 1.5 | 11500 |
| | | 71 | | | | 46 | 64 | 4.5 | 0.37 | 0.078 | 15 | 82 | 36 | 0.25 | 0.5 | 2 | |
| 30 | 30 | 53 | 56 | 12-20 | 20 | 30 | 46 | 6xM5 | 0.4 | 0.11 | 38 | 720 | 50 | 0.15 | 0.6 | 1.5 | 11000 |
| | | 61 | | | | 38 | 54 | 4.5 | 0.42 | 0.12 | 28 | 225 | 25 | 0.25 | 1 | 2 | |
| 60 | 60 | 62 | 66 | 15-25 | 25 | 36 | 54 | 6xM6 | 0.77 | 0.32 | 75 | 1150 | 90 | 0.15 | 0.6 | 1.5 | 9100 |
| | | 73 | | | | 47 | 65 | 8.5 | 0.79 | 0.34 | 50 | 340 | 50 | 0.25 | 1 | 2 | |
| 80 | 80 | 78 | 82 | 20-35 | 30 | 50 | 70 | 6xM6 | 1.34 | 1.05 | 128 | 1200 | 80 | 0.2 | 0.5 | 1.5 | 7000 |
| | | 90 | | | | 62 | 82 | 10 | 1.39 | 1.11 | 75 | 400 | 50 | 0.25 | 0.8 | 2 | |
| 150 | 150 | 78 | 82 | 20-35 | 30 | 50 | 70 | 6xM6 | 1.36 | 1.15 | 155 | 2020 | 145 | 0.2 | 0.5 | 1.5 | 7000 |
| | | 90 | | | | 62 | 82 | 15 | 1.41 | 1.21 | 105 | 595 | 85 | 0.25 | 0.8 | 2 | |
| 200 | 200 | 78 | 90 | 20-40 | 30 | 50 | 70 | 6xM6 | 1.59 | 1.39 | 175 | 2500 | 145 | 0.2 | 0.5 | 1.5 | 6700 |
| | | 91 | | | | 63 | 83 | 15 | 1.66 | 1.49 | 120 | 460 | 82 | 0.25 | 1 | 2 | |
| 300 | 300 | 90 | 110 | 25-50 | 37 | 56 | 80 | 6xM8 | 3.26 | 4.66 | 502 | 6300 | 280 | 0.2 | 0.5 | 1.5 | 5200 |
| | | 102 | | | | 67 | 91 | 17 | 3.32 | 4.81 | 285 | 1400 | 145 | 0.25 | 1 | 2 | |
| 500 | 500 | 101 | 122 | 35-55 | 40 | 66 | 90 | 6xM8 | 3.78 | 6.11 | 690 | 7790 | 100 | 0.2 | 0.5 | 1.5 | 4600 |
| | | 112 | | | | 77 | 101 | 25 | 3.87 | 6.38 | 320 | 970 | 85 | 0.25 | 1 | 2 | |
| 800 | 800 | 170 | 157 | 50-70 | 60 | 110 | 150 | 6xM16 45 | 9.05 | 24.05 | 760 | 500 | 185 | 0.2 | 0.8 | 1.8 | 3700 |
| 1400 | 1400 | 170 | 157 | 50-70 | 60 | 110 | 150 | 6xM16 80 | 9.15 | 24.2 | 1270 | 700 | 275 | 0.2 | 0.8 | 1.8 | 3700 |
| 3000 | 3000 | 206 | 157 | 55-85 | 60 | 150 | 190 | 6xM12 85 | 9.43 | 25.7 | 2810 | 29450 | 1300 | 0.2 | 0.8 | 1.5 | 2800 |
| 5000 | 5000 | 206 | 208 | 60-90 | 80 | 146 | 186 | 6xM16 210 | 19.9 | 96.7 | 4810 | 4915 | 505 | 0.2 | 0.8 | 1.5 | 2800 |

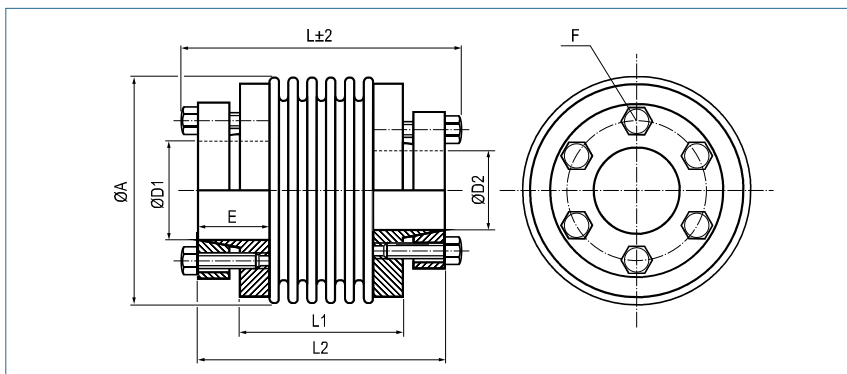
| | |
|--------------------------|--|
| Material | bellows – stainless steel hub - steel |
| Hub | bore tolerance: H7 |
| Temperature Range | -30 °C ~ 120 °C |

Metal Bellows Coupling

with outer conical hubs

optional
laserwelded
optional full stainless
steel version

optional chem.
nickel-plated



Order Code

KB6 / 60 - 78 - 20 - 32 - (S)
 Type / Size Length L ØD1 (H7) ØD2 (H7) Options

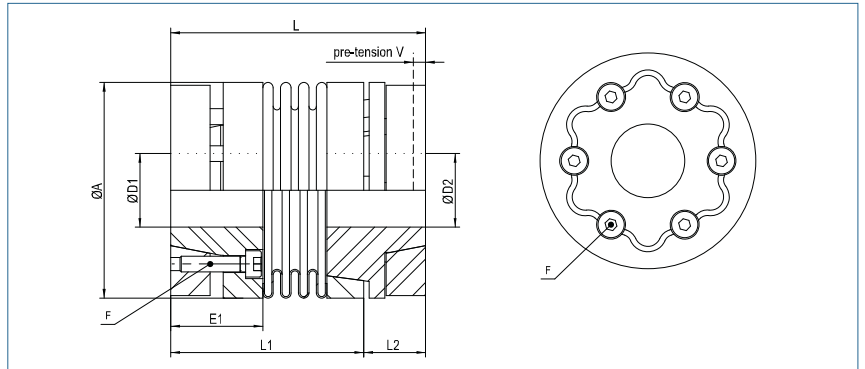
| Size | Torque TKN (Nm) | Dimensions (mm) | | | | | | | Technical Data | | | | | | | | |
|------|-----------------|-----------------|---------|-------------------------|------------|-----|-----|-------------------------|----------------|----------------------------|---------------------------|------------------|-----------------|-----------------|----------------|-----------------|--------------------|
| | | L | Ø A | D1/D2 | E | L1 | L2 | F | Mass (kg) | Moment of Inertia J (g m²) | Spring Stiffness | | | Misalignment | | | max. speed (min-1) |
| | | Length | Outer Ø | Bore Sizes (H7) min-max | Hub-length | | | Screw (ISO4017) TA (Nm) | | | torsional CT 10³ (Nm/rad) | radial CR (N/mm) | axial CA (N/mm) | radial ΔKr (mm) | axial ΔKa (mm) | angular ΔKw (°) | |
| 18 | 18 | 65 | 45 | 8-15 | 16.5 | 37 | 58 | 4x M5 | 0.3 | 0.081 | 20 | 205 | 50 | 0.2 | 0.5 | 1.5 | 11500 |
| | | 73 | | | | 45 | 66 | 5.9 | | | | | | | | | |
| 30 | 30 | 60 | 56 | 12-20 | 18 | 31 | 53 | 6x M5 | 0.37 | 0.13 | 38 | 720 | 50 | 0.15 | 0.6 | 1.5 | 11000 |
| | | 68 | | | | 39 | 61 | 5.9 | | | | | | | | | |
| 60 | 60 | 78 | 66 | 15-32 | 25 | 36 | 71 | 6x M5 | 0.76 | 0.46 | 75 | 1150 | 90 | 0.15 | 0.6 | 1.5 | 9100 |
| | | 89 | | | | 47 | 82 | 8.7 | | | | | | | | | |
| 80 | 80 | 95 | 82 | 20-35 | 31 | 50 | 87 | 6x M6 | 1.57 | 1.37 | 128 | 1200 | 80 | 0.2 | 0.5 | 1.5 | 7000 |
| | | 107 | | | | 62 | 99 | 15 | | | | | | | | | |
| 150 | 150 | 95 | 82 | 20-35 | 31 | 50 | 87 | 6x M6 | 1.59 | 1.39 | 155 | 2020 | 145 | 0.2 | 0.5 | 1.5 | 7000 |
| | | 107 | | | | 62 | 99 | 15 | | | | | | | | | |
| 200 | 200 | 95 | 90 | 20-42 | 31 | 50 | 87 | 6x M6 | 1.6 | 1.64 | 175 | 2500 | 145 | 0.2 | 0.5 | 1.5 | 6700 |
| | | 108 | | | | 63 | 100 | 15 | | | | | | | | | |
| 300 | 300 | 108 | 110 | 25-50 | 34 | 57 | 98 | 6x M8 | 2.83 | 4.52 | 502 | 6300 | 280 | 0.2 | 0.5 | 1.5 | 5200 |
| | | 120 | | | | 68 | 109 | 25 | | | | | | | | | |
| 500 | 500 | 122 | 122 | 35-55 | 41 | 59 | 112 | 6x M8 | 3.89 | 7.04 | 690 | 7790 | 100 | 0.2 | 0.5 | 1.5 | 4600 |
| | | 134 | | | | 70 | 123 | 36 | | | | | | | | | |
| 800 | 800 | 184 | 157 | 50-70 | 50 | 108 | 169 | 6x M12 85 | 8.87 | 24.9 | 760 | 500 | 185 | 0.2 | 0.8 | 1.8 | 3700 |
| 1400 | 1400 | 184 | 157 | 50-70 | 50 | 108 | 169 | 6x M12 115 | 8.92 | 25.2 | 1270 | 700 | 275 | 0.2 | 0.8 | 1.8 | 3700 |
| 3000 | 3000 | 220 | 157 | 55-75 | 60 | 146 | 204 | 6x M12 125 | 10.9 | 30.9 | 2810 | 2945 | 305 | 0.2 | 0.8 | 1.5 | 2800 |
| 5000 | 5000 | 245 | 208 | 60-90 | 55 | 146 | 225 | 6x M16 210 | 27.7 | 144.4 | 4810 | 4915 | 505 | 0.2 | 0.8 | 1.5 | 2800 |

| | |
|--------------------------|--|
| Material | bellows – stainless steel hub - steel |
| Hub | bore tolerance: H7 |
| Temperature Range | -30 °C ~ 120 °C |

Metal Bellows Coupling

axial pluggable, with outer conical hubs

optional
laserwelded
optional full stainless
steel version



Order Code

KB6P / 60 - 79 - 20 - 15 - D - (S)

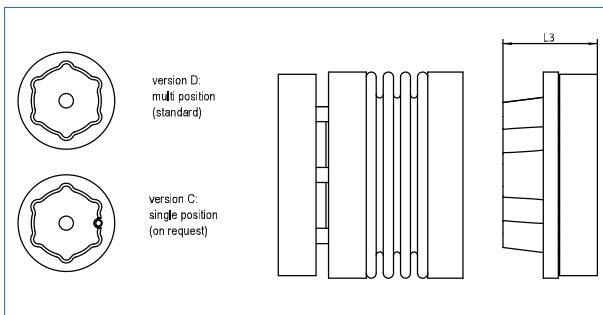
Type / Size Length L ØD1 (H7) ØD2 (H7) Plug System Options

| Size | Torque TKN (Nm) | Dimensions (mm) | | | | | | Technical Data | | | | | | | | |
|------|-----------------|-----------------|---------|------------------------|------------------------|------|-------------------------|----------------|----------------------------|---------------------------|------------------|-----------------|-----------------|----------------|-----------------|--------------------|
| | | L | Ø A | D1 | D2 | E1 | F | Mass (kg) | Moment of Inertia J (g m²) | Spring Stiffness | | | Misalignment | | | max. speed (min-1) |
| | | Length | Outer Ø | Bore Size (H7) min~max | Bore Size (H7) min~max | | Screw (ISO4762) TA (Nm) | | | torsional CT 10³ (Nm/rad) | radial CR (N/mm) | axial CA (N/mm) | radial ΔKr (mm) | axial ΔKa (mm) | angular ΔKw (°) | |
| 18 | 18 | 67 | 45 | 8-14 | 10-22 | 20.5 | M4 | 0.4 | 0.1 | 20 | 205 | 50 | 0.2 | 0.5 | 1.5 | 12800 |
| | | 75 | | | | | 4.3 | 0.45 | 0.11 | 15 | 82 | 36 | 0.25 | 0.5 | 2 | |
| 30 | 30 | 68 | 56 | 10-24 | 10-24 | 22 | M5 | 0.48 | 0.16 | 38 | 720 | 50 | 0.15 | 0.6 | 1.5 | 10300 |
| | | 76 | | | | | 6.5 | 0.5 | 0.18 | 28 | 225 | 28 | 0.25 | 1.0 | 2 | |
| 60 | 60 | 79 | 66 | 12-32 | 12-32 | 24 | M5 | 0.88 | 0.38 | 75 | 1150 | 90 | 0.15 | 0.6 | 1.5 | 8700 |
| | | 89 | | | | | 8 | 0.98 | 0.41 | 50 | 340 | 50 | 0.25 | 1.0 | 2 | |
| 150 | 150 | 97 | 82 | 15-40 | 15-40 | 35 | M6 | 1.6 | 1.8 | 155 | 2020 | 145 | 0.2 | 0.5 | 1.5 | 6900 |
| | | 108 | | | | | 12 | 1.69 | 1.85 | 105 | 595 | 85 | 0.25 | 0.8 | 2 | |
| 300 | 300 | 113 | 110 | 24-56 | 24-56 | 35 | M8 | 2.28 | 4.05 | 502 | 6300 | 280 | 0.2 | 0.5 | 1.5 | 6000 |
| | | 125 | | | | | 30 | 2.38 | 4.25 | 285 | 1400 | 145 | 0.25 | 0.8 | 2 | |
| 500 | 500 | 133 | 122 | 30-60 | 30-60 | 40 | M8 | 3.8 | 7.55 | 690 | 7790 | 100 | 0.2 | 0.5 | 1.5 | 5000 |
| | | 144 | | | | | 32 | 3.9 | 7.75 | 320 | 970 | 85 | 0.25 | 1.0 | 2 | |



| | |
|--------------------------|--|
| Material | bellows - stainless steel hubs - aluminium outer conical hub - steel |
| Hub | bore tolerance: H7 |
| Temperature Range | -30 °C ~ 120 °C |

| Size | Dimensions (mm) | | | |
|------|-----------------|------|------|---------|
| | L1 | L2 | L3 | V |
| 18 | 52 | 15 | 22 | 0.5-1.0 |
| | 60 | | | |
| 30 | 51.5 | 16.5 | 31 | 0.5-1.0 |
| | 59.5 | | | |
| 60 | 57 | 22 | 35 | 0.5-1.5 |
| | 67 | | | |
| 150 | 73 | 24 | 37.5 | 0.5-1.5 |
| | 84 | | | |
| 300 | 82 | 31 | 48 | 0.5-1.5 |
| | 93 | | | |
| 500 | 90 | 43 | 64 | 0.5-2.0 |
| | 101 | | | |

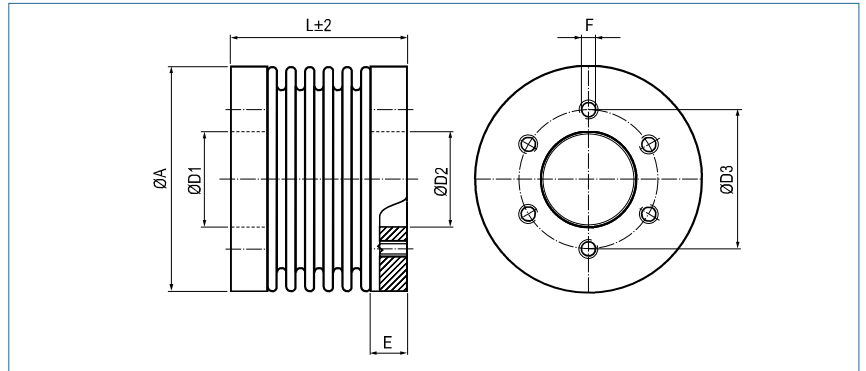
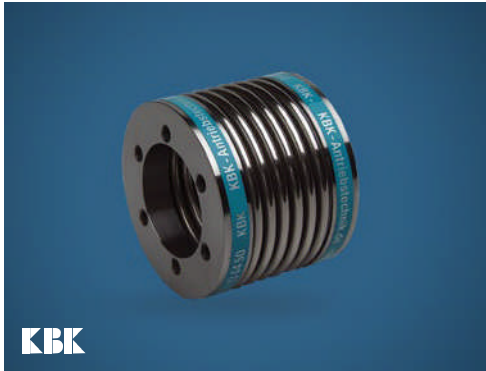


Metal Bellows Coupling

for flange mounting

optional
laserwelded
optional full stainless
steel version

optional chem.
nickel-plated



Order Code

KB7 / 60 - 41 - 38 - (S)

Type / Size

Length
L

ØD1/ØD2
(H7)

Options

| Size | Torque TKN (Nm) | Dimensions (mm) | | | | | | Technical Data | | | | | | | | |
|------|-----------------------|-----------------|------------|-------------------------------|------|------|--------------|----------------|---|---|------------------------|-----------------------|-----------------------|----------------------|-----------------------|--------------------------|
| | | L | Ø A | Ø D1/D2 | Ø D3 | E | F | Mass (kg) | Moment of Inertia J (g m ²) | Spring Stiffness | | | Misalignment | | | max. speed (min-1) |
| | | Length | Outer Ø | Bore Sizes (H7) min-max | | | Thread 6x | | | torsional CT 10 ³ (Nm/rad) | radial CR (N/mm) | axial CA (N/mm) | radial ΔKr (mm) | axial ΔKa (mm) | angular ΔKw (°) | |
| 18 | 18 | 36 | 45 | 22 | 31 | 6 | M5 | 0.11 | 0.04 | 20 | 205 | 50 | 0.2 | 0.5 | 1.5 | 11500 |
| | | 44 | | | | | | 0.115 | 0.04 | 15 | 82 | 36 | 0.25 | 0.5 | 2 | |
| 30 | 30 | 30 | 56 | 28 | 37 | 7 | M5 | 0.16 | 0.09 | 38 | 720 | 50 | 0.15 | 0.6 | 1.5 | 11000 |
| | | 38 | | | | | | 0.17 | 0.09 | 28 | 225 | 25 | 0.25 | 1 | 2 | |
| 60 | 60 | 41 | 66 | 38 | 46 | 10.5 | M6 | 0.33 | 0.25 | 75 | 1150 | 90 | 0.15 | 0.6 | 1.5 | 9100 |
| | | 51 | | | | | | 0.37 | 0.29 | 50 | 340 | 50 | 0.25 | 1 | 2 | |
| 80 | 80 | 50 | 82 | 50 | 62 | 13 | M6 | 0.69 | 0.83 | 128 | 1200 | 80 | 0.2 | 0.5 | 1.5 | 7000 |
| | | 62 | | | | | | 0.75 | 0.92 | 75 | 400 | 50 | 0.25 | 1 | 2 | |
| 150 | 150 | 50 | 82 | 50 | 62 | 13 | M6 | 0.69 | 0.83 | 155 | 2020 | 145 | 0.2 | 0.5 | 1.5 | 7000 |
| | | 62 | | | | | | 0.75 | 0.92 | 105 | 595 | 85 | 0.25 | 1 | 2 | |
| 200 | 200 | 50 | 90 | 50 | 62 | 13 | M6 | 0.74 | 1.0 | 175 | 2500 | 145 | 0.2 | 0.5 | 1.5 | 6700 |
| | | 63 | | | | | | 0.80 | 1.1 | 120 | 460 | 82 | 0.25 | 1 | 2 | |
| 300 | 300 | 55 | 110 | 65 | 80 | 13 | M8 | 1.18 | 2.5 | 502 | 6300 | 280 | 0.2 | 0.5 | 1.5 | 5200 |
| | | 66 | | | | | | 1.24 | 2.7 | 285 | 1400 | 145 | 0.25 | 1 | 2 | |
| 500 | 500 | 61 | 122 | 70 | 94 | 16 | M8 | 1.95 | 5.0 | 690 | 7790 | 100 | 0.2 | 0.5 | 1.5 | 4600 |
| | | 72 | | | | | | 2.05 | 5.3 | 320 | 970 | 85 | 0.25 | 1 | 2 | |
| 800 | 800 | 131 | 157 | 85 | 110 | 23 | M16 | 3.55 | 15 | 760 | 500 | 185 | 0.2 | 0.8 | 1.8 | 3700 |
| 1400 | 1400 | 131 | 157 | 85 | 110 | 23 | M16 | 3.55 | 15 | 1270 | 700 | 275 | 0.2 | 0.8 | 1.8 | 3700 |
| 3000 | 3000 | 131 | 157 | 85 | 110 | 23 | M16 | 3.70 | 16 | 2810 | 2945 | 305 | 0.2 | 0.8 | 1.5 | 2800 |
| 5000 | 5000 | 146 | 208 | 100 | 130 | 36.5 | M16 | 8.22 | 61 | 4810 | 4915 | 505 | 0.2 | 0.8 | 1.5 | 2800 |

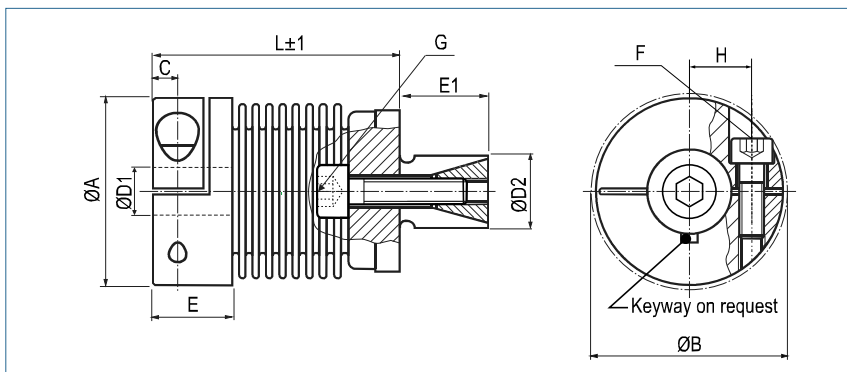
| | |
|--------------------------|--|
| Material | bellows – stainless steel hub - steel |
| Hub | bore tolerance: H7 |
| Temperature Range | -30 °C ~ 120 °C |

Metal Bellows Coupling

with expanding clamps

optional
laserwelded
optional full stainless
steel version

optional chem.
nickel-plated



Order Code

KB8 / 30 - 53 - 15 - 20 - S
 Type / Size Length L ØD1 (H7) ØD2 (f7) Options

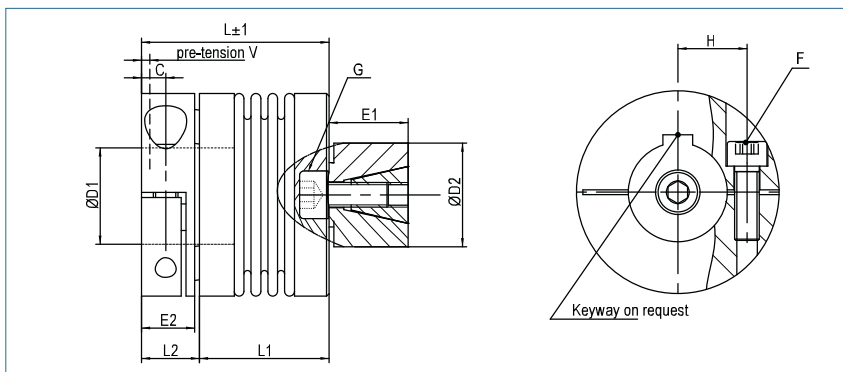
| Size | Torque TKN (Nm) | Dimensions (mm) | | | | | | | | | | Technical Data | | | | | | | | |
|------|-----------------|-----------------|---------|------------------------|--------------|----|-----|------|----|------|-------------------------|----------------|----------------------------|--------------------------|------------------|-----------------|-----------------|----------------|-----------------|--------------------|
| | | L | Ø A | D1 | D2 | H | C | E | E1 | B | F/G | Mass (kg) | Moment of Inertia J (g m²) | Spring Stiffness | | | Misalignment | | | max. speed (min-1) |
| | | Length | Outer Ø | Bore Size (H7) min-max | (f7) min-max | | | | | | Screw (ISO4762) TA (Nm) | | | torsional CT 10³ (Nmrad) | radial CR (N/mm) | axial CA (N/mm) | radial ΔKr (mm) | axial ΔKa (mm) | angular ΔKw (°) | |
| 18 | 18 | 45 | 45 | 10-25.4 | 13-25 | 17 | 5.5 | 17.5 | 20 | 47.4 | M5 | 0.14 | 0.04 | 20 | 205 | 50 | 0.2 | 0.5 | 1.5 | 12800 |
| | | 52 | | | | | | | | | | 8 | 0.15 | 0.05 | 15 | 82 | 35 | 0.25 | 0.5 | 2 |
| 30 | 30 | 53 | 56 | 10-32 | 14-30 | 20 | 7.5 | 24.5 | 25 | 56.4 | M6 | 0.30 | 0.15 | 38 | 720 | 50 | 0.15 | 0.6 | 1.5 | 10300 |
| | | 61 | | #30 | | | | | | | 15 | 0.31 | 0.16 | 28 | 225 | 28 | 0.25 | 1.0 | 2 | 10300 |
| 60 | 60 | 62 | 66 | 12-35 | 23-38 | 23 | 10 | 29 | 27 | 66 | M8 | 0.40 | 0.28 | 75 | 1150 | 90 | 0.15 | 0.6 | 1.5 | 8700 |
| | | 72 | | | | | | | | | 40 | 0.42 | 0.31 | 50 | 340 | 50 | 0.25 | 1.0 | 2 | 8700 |
| 150 | 150 | 71 | 82 | 14-44 | 26-42 | 28 | 11 | 33.5 | 32 | 82.9 | M10 | 0.80 | 0.90 | 155 | 2020 | 145 | 0.2 | 0.5 | 1.5 | 6900 |
| | | 83 | | | | | | | | | 84 | 0.85 | 0.95 | 105 | 595 | 85 | 0.25 | 0.5 | 2 | 6900 |
| 300 | 300 | 84 | 110 | 20-60 | 38-60 | 39 | 13 | 38 | 45 | 110 | M12 | 1.62 | 3.28 | 502 | 6300 | 280 | 0.2 | 0.5 | 1.5 | 6000 |
| | | 98 | | | | | | | | | 145 | 1.66 | 3.37 | 285 | 1400 | 145 | 0.25 | 0.8 | 2 | 6000 |

| | |
|-----------------------------|--|
| Material | bellows – stainless steel collet clamps - aluminium expanding clamps - steel |
| Hub and Hollow Shaft | bore tolerance: H7 |
| Keyway | optional acc. DIN 6885 biggest bore marked with a # |
| Temperature Range | -30 °C ~ 120 °C |

Metal Bellows Coupling

axial pluggable, with expanding clamps

optional
laserwelded
optional full stainless
steel version



Order Code

KB8P / 60 - 78 - 15 - 30 - D - (S)

Type / Size

Length
L

ØD1
(H7)

ØD2
(f7)

Plug System

Options

| Size | Torque TKN (Nm) | Dimensions (mm) | | | | | | | | | Technical Data | | | | | | | | |
|------|-----------------------|-----------------|----------------|------------------------------------|-----------------------|----|------|------|----|--------------------------------------|----------------|-------------------------------------|------------------------|-----------------------|-----------------------|----------------------|-----------------------|-----|--------------------------|
| | | L Length | Ø A Outer Ø | D1 Bore Size (H7) min-max | D2 (f7) min-max | H | C | E2 | E1 | F/G Screw (ISO4762) TA (Nm) | Mass (kg) | Moment of Inertia J (g m²) | Spring Stiffness | | | Misalignment | | | max. speed (min-1) |
| | | | | | | | | | | | | torsional CT 10³ (Nm/rad) | radial CR (N/mm) | axial CA (N/mm) | radial ΔKr (mm) | axial ΔKa (mm) | angular ΔKw (°) | | |
| 18 | 18 | 47,5 | 45 | 10-24 | 13-25 | 17 | 5.5 | 12 | 20 | M5 | 0.18 | 0.04 | 20 | 205 | 50 | 0.2 | 0.5 | 1.5 | 12800 |
| | | 54,5 | | | | | | | | 8 | 0.19 | 0.05 | 15 | 82 | 36 | 0.25 | 0.5 | 2 | 12800 |
| 30 | 30 | 59,5 | 56 | 10 32 | 14-30 | 20 | 7.3 | 17 | 25 | M6 | 0.33 | 0.15 | 38 | 720 | 50 | 0.15 | 0.6 | 1.5 | 10300 |
| | | 67,5 | | #30 | | | | | | 15 | 0.34 | 0.16 | 28 | 225 | 28 | 0.25 | 1.0 | 2 | 10300 |
| 60 | 60 | 68 | 66 | 12-35 | 23-38 | 23 | 8.6 | 21 | 27 | M8 | 0.49 | 0.28 | 75 | 1150 | 90 | 0.15 | 0.6 | 1.5 | 8700 |
| | | 78 | | | | | | | | 40 | 0.51 | 0.31 | 50 | 340 | 50 | 0.25 | 1.0 | 2 | 8700 |
| 150 | 150 | 75 | 82 | 14-44 | 26-42 | 28 | 9.8 | 21.5 | 32 | M10 | 0.87 | 0.90 | 155 | 2020 | 145 | 0.2 | 0.5 | 1.5 | 6900 |
| | | 87 | | | | | | | | 84 | 0.92 | 0.95 | 105 | 595 | 85 | 0.25 | 0.8 | 2 | 6900 |
| 300 | 300 | 93 | 110 | 20-60 | 38-60 | 39 | 10.8 | 27 | 45 | M12 | 1.87 | 3.28 | 502 | 6300 | 280 | 0.2 | 0.5 | 1.5 | 6000 |
| | | 107 | | | | | | | | 145 | 1.91 | 3.37 | 285 | 1400 | 145 | 0.25 | 0.8 | 2 | 6000 |



| | |
|--------------------------|--|
| Material | bellows - stainless steel collet clamps - aluminium expanding clamps - steel |
| Hub | bore tolerance: H7 |
| Temperature Range | -30 °C ~ 120 °C |
| Keyway | optional acc. DIN 6885 biggest bore marked with a # |

| Size | Dimensions (mm) | | | |
|------|-----------------|------|------|---------|
| | L1 | L2 | L3 | V |
| 18 | 33.5 | 14 | 22 | 0.5-1.0 |
| | 40.5 | | | |
| 30 | 40.5 | 19 | 31 | 0.5-1.0 |
| | 48.5 | | | |
| 60 | 45 | 23 | 35 | 0.5-1.5 |
| | 55 | | | |
| 150 | 51.5 | 23.5 | 37.5 | 0.5-1.5 |
| | 63.5 | | | |
| 300 | 64 | 29 | 47 | 0.5-1.5 |
| | 78 | | | |

